

ICBVW36S**FEATURES**

Rigorously tested for decades of use

Exceptional support from our Customer Care team

Heavy-gauge stainless steel

LED lights with two brightness settings

Front-mounted electronic controls

Dishwasher-safe filters

Telescoping chimney reaches standard ceiling heights

Powerful blower options

ACCESSORIES

Chimney Extension - accommodates most 3 m ceilings

Make-up air damper

Recirculating kit and filter for non-ducted applications

Recirculating Filter

Remote Control

76 cm x 76 cm Stainless Steel Wall Shield

Accessories available through an authorized dealer.

For local dealer information, visit subzero-wolf.com/locator.

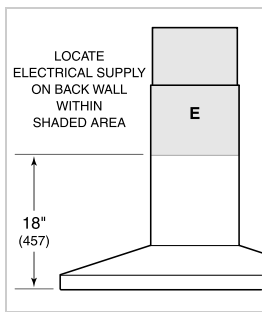
**BLOWER OPTIONS**

- 900 CMH Internal Blower
- 1528 CMH Remote Blower
- 2028 CMH Remote Blower
- 2535 CMH Remote Blower

PRODUCT SPECIFICATIONS

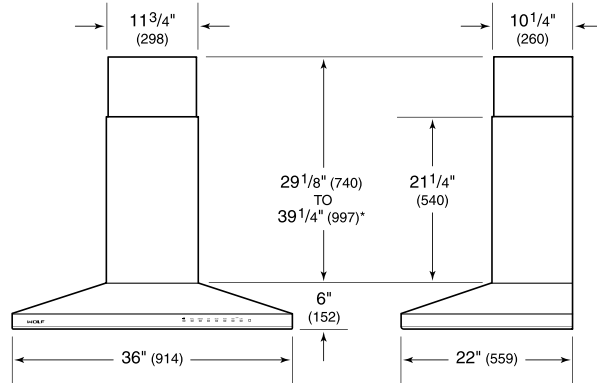
Model	ICBVW36S
Dimensions	914mmW x 152mmH x 559mmD
Weight	45 kg
Electrical Supply	220-240 VAC; 50/60 Hz
Electrical Service	≤ 6 A
Discharge Location	Vertical
Discharge Dimensions	150 mm Round
Bottom of Hood to Countertop	762 mm to 914 mm
Receptacle	3-prong grounding-type

ELECTRICAL



NOTE: Dimensions in parenthesis are in millimeters unless otherwise specified

DIMENSIONS



*49 1/8" (1248) to 59 1/4" (1505) with accessory flue extension.