

ICBSRT484CG



FEATURES

- Rigorously tested for decades of use
- Exceptional support from our Customer Care team
- Signature red infinite control knobs
- Dual-stacked burners go from 20,000 Btu down to a mere breath of flame
- Heavy-gauge stainless steel
- Spark ignition system re-ignites if flame goes out
- Continuous cast-iron grates for easy movement of pots and pans
- 4 burners plus 15 MJ chargrill and 15 MJ teppanyaki

ACCESSORIES

- Stainless steel, brass or chrome bezels
- Wok grate
- Signature red, black or stainless steel control knobs
- 13 cm and 25 cm stainless steel risers, and 51 cm riser with shelf

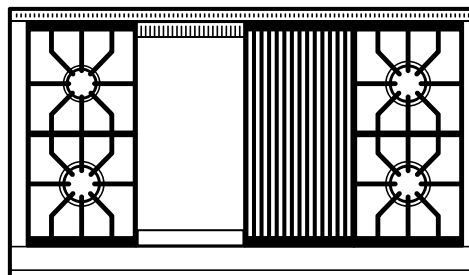
Accessories available through an authorized dealer.
For local dealer information, visit subzero-wolf.com/locator.



KNOB OPTIONS



TOP CONFIGURATION



RANGETOP SPECIFICATIONS

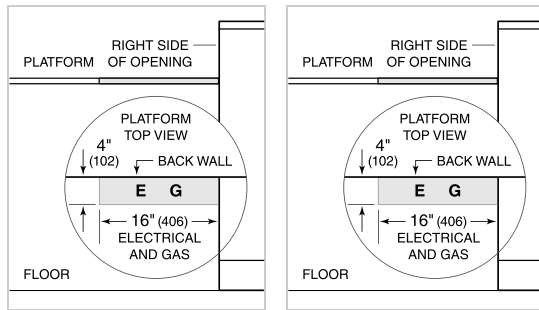
- 1 - 9 MJ/h Burner
- 3 - 16 MJ/h Burners
- 1 - 15 MJ/h Teppanyaki
- 1 - 15 MJ/h Chargrill

PRODUCT SPECIFICATIONS

Model	ICBSRT484CG
Dimensions	1216mmW x 216mmH x 724mmD
Weight	127 kg
Electrical Supply	220-240 VAC; 50/60 Hz
Electrical Service	≤ 1 A
Gas Supply	10 mm diameter
Gas Inlet	ISO 7-1 or ISO 228-1

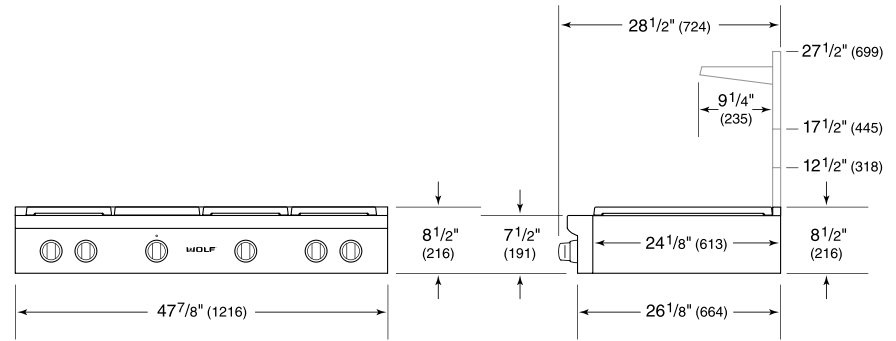
ELECTRICAL

GAS

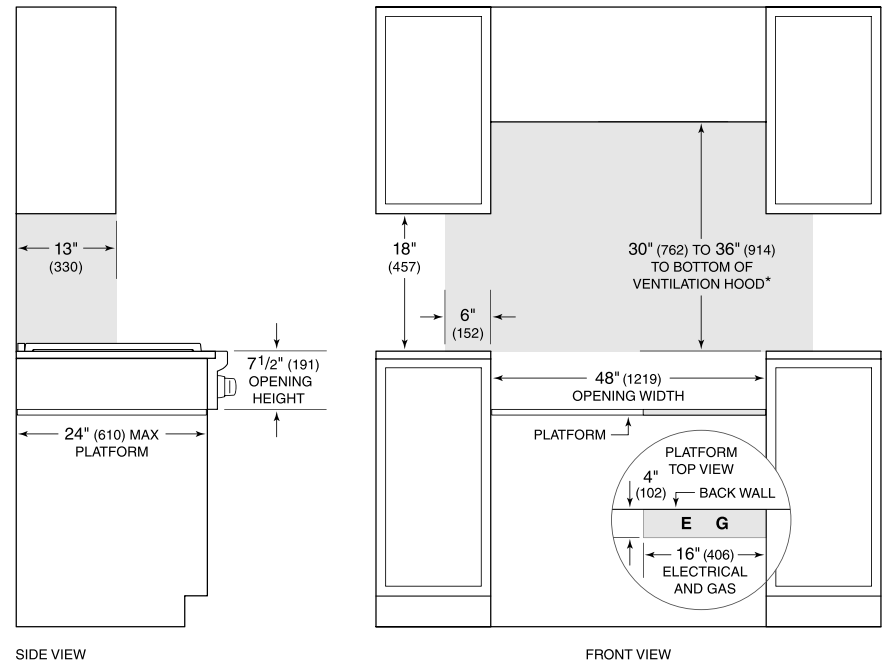


NOTE: Dimensions in parenthesis are in millimeters unless otherwise specified

DIMENSIONS



STANDARD INSTALLATION



**Without ventilation hood, 36" (914) minimum clearance countertop to combustible materials, 44" (1118) for charbroiler.*
NOTE: Shaded area above countertop indicates minimum clearance to combustible surfaces, combustible materials cannot be located within this area.
 Electrical and gas supply located through bottom of platform.
 For island installation, 12" (305) minimum clearance back of range to combustible rear wall above countertop.