

ICBCL4850SID/S



FEATURES

- Product availability pending in country approval

- Sub-Zero offers an industry-leading full two-year warranty on appliances, along with a full five-year sealed system warranty

- ClearSight™ LED lighting system fully illuminates the interior and reduces shadows

- Split Climate™ intelligent cooling system revolutionizes Sub-Zero’s already-superior preservation capabilities, keeping food even fresher for longer

- Night Mode optimizes the interior lighting based on the detected ambient light, reducing the brightness by 90% in dim environments

- Touch control panel is conveniently located for easy access at the tap of a finger

- Sleek stainless accents trim the interior, matching the sophistication of the exterior

- Stainless-steel exterior and tubular or pro handles to match other Sub-Zero and Wolf products

- Delivers fresh, filtered water and ice through an internal dispenser located discreetly within the refrigerator

- Lift the base of the flip-up dairy compartments to store taller items on the shelf below

- Activate Max Ice Mode to temporarily increase ice production

- Position adjustable door bins at various heights to accommodate assorted items

- Delivers fresh-tasting, filtered water through an internal dispenser located discreetly within the refrigerator

ACCESSORIES

- 7007506-Egg Container

- 7042798-Air Purification Cartridge

- Stainless steel kickplate

- Grilles for 2108 mm or 2235 mm finished height (2134 mm is standard)

- Side panel mounting kit

- Grilles for 2108 mm or 2235 mm finished height (2134 mm is standard)

- 90° door stop

- Replacement water filter

- Stainless steel kickplate

- Stainless Steel Pro Louvered Grille - 2134 mm

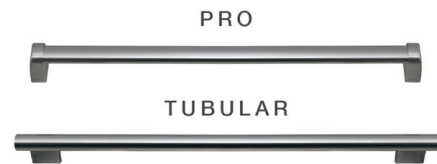
- Replacement air purification cartridge

- Dozen egg container

Accessories are available through an authorized dealer. For local dealer information, visit subzero-wolf.com/locator.



HANDLE OPTIONS



PRODUCT DETAILS

REFRIGERATOR

- 5 glass refrigerator shelves (4 adjustable; 1 stationary)
- 4 crisper drawers with removable dividers
- 5 refrigerator door bins (3 adjustable; 2 stationary)
- 1 flip-up dairy compartment
- Air purification system
- Internal ice and water dispenser
- LED refrigerator and freezer lights

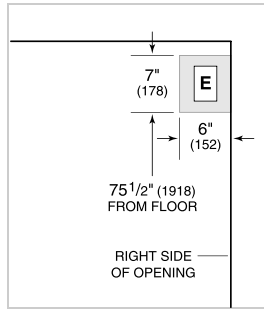
FREEZER

- 5 adjustable door bins
- 3 storage drawers
- Fold-up shelf
- Water filtration system

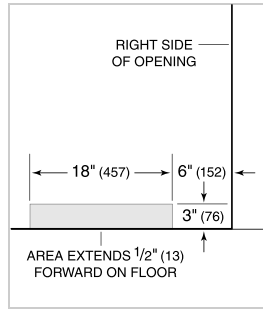
PRODUCT SPECIFICATIONS

Model	ICBCL4850SID/S
Dimensions	1219mmW x 2134mmH x 610mmD
Weight	320 kg
Refrigerator Gross Capacity	519 L
Freezer Gross Capacity	297 L
Electrical Supply	220-240 VAC; 50/60 Hz
Electrical Service	≤ 4 A
Receptacle	3-prong grounding-type

ELECTRICAL

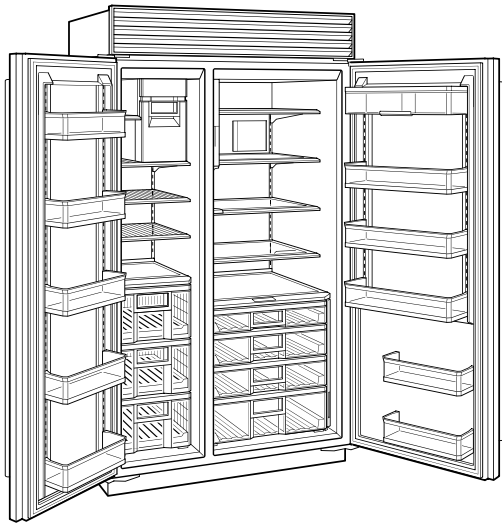


PLUMBING



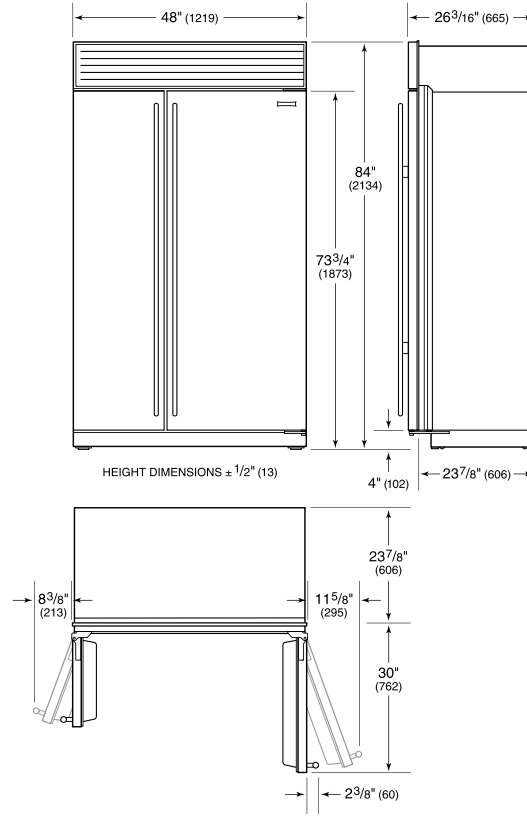
NOTE: Dimensions in parenthesis are in millimeters unless otherwise specified

INTERIOR VIEW

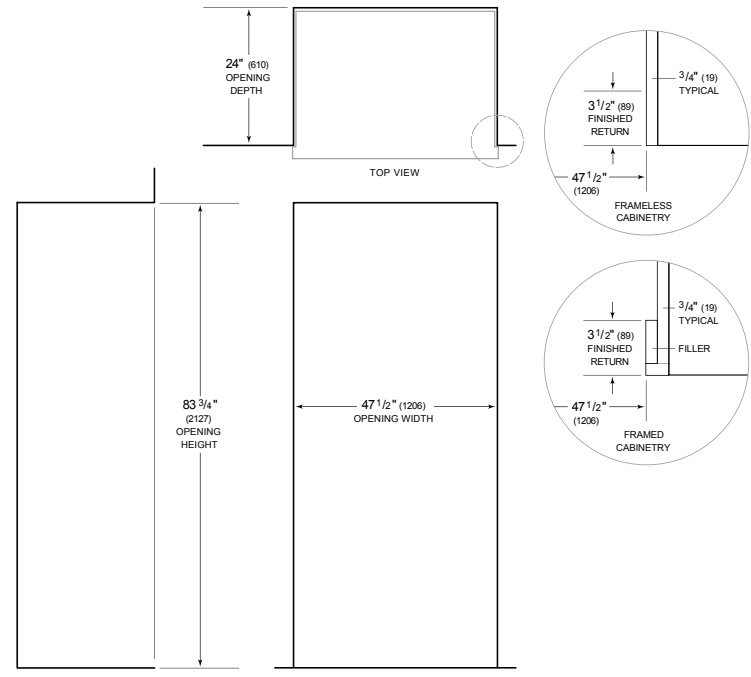


This illustration is intended for interior reference only and may not represent the exterior of the model being specified.

DIMENSIONS



STANDARD INSTALLATION



NOTE: 3 1/2" (89) finished returns will be visible and should be finished to match cabinetry
Shaded line represents profile of unit.