

ICBCL3650RID/S



**FEATURES**

Product availability pending in country approval

Split Climate™ intelligent cooling system revolutionizes Sub-Zero's already-superior preservation capabilities, keeping food even fresher for longer

ClearSight™ LED lighting system fully illuminates the interior and reduces shadows

Sleek stainless accents trim the interior, matching the sophistication of the exterior

Touch control panel is conveniently located for easy access at the tap of a finger

Night Mode optimizes the interior lighting based on the detected ambient light, reducing the brightness by 90% in dim environments

Lift the base of the flip-up dairy compartments to store taller items on the shelf below

Position adjustable door bins at various heights to accommodate assorted items

Delivers fresh, filtered water through an internal dispenser located discreetly within the refrigerator

Stainless-steel exterior and tubular or pro handles to match other Sub-Zero and Wolf products

Sub-Zero offers an industry-leading full two-year warranty on appliances, along with a full five-year sealed system warranty

**ACCESSORIES**

7007506-Egg Container

7042798-Air Purification Cartridge

Classic Dual Installation Kit

Classic Dual Installation Kit With 66" Pro Louvered Grille

Dual Installation Kit With 72" Pro Louvered Grille

Stainless steel kickplate

Grilles for 2108 mm or 2235 mm finished height (2134 mm is standard)

Side panel mounting kit

Grilles for 2108 mm or 2235 mm finished height (2134 mm is standard)

Dual installation kit with or without dual wide grille - 2134 mm finished height

Grilles for 2108 mm or 2235 mm finished height (2134 mm is standard)

Stainless steel kickplate

Accessories are available through an authorized dealer. For local dealer information, visit [subzero-wolf.com/locator](http://subzero-wolf.com/locator).



**HANDLE OPTIONS**

PRO



TUBULAR



**PRODUCT DETAILS**

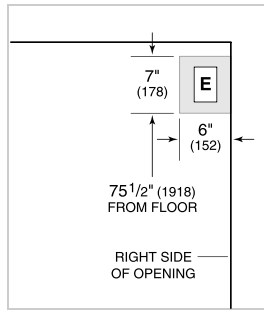
**REFRIGERATOR**

- 5 glass refrigerator shelves (4 adjustable; 1 stationary)
- 4 crisper drawers with removable dividers
- 5 refrigerator door bins (3 adjustable; 2 stationary)
- 1 flip-up dairy compartment
- Air purification system
- Internal water dispenser
- Water filtration system
- LED refrigerator lights

**PRODUCT SPECIFICATIONS**

Model	ICBCL3650RID/S
Dimensions	36"W x 84"H x 24"D
Weight	235 kg
Refrigerator Gross Capacity	646 L
Electrical Supply	220-240 VAC; 50/60 Hz
Electrical Service	≤ 4 A
Receptacle	3-prong grounding-type

**ELECTRICAL**



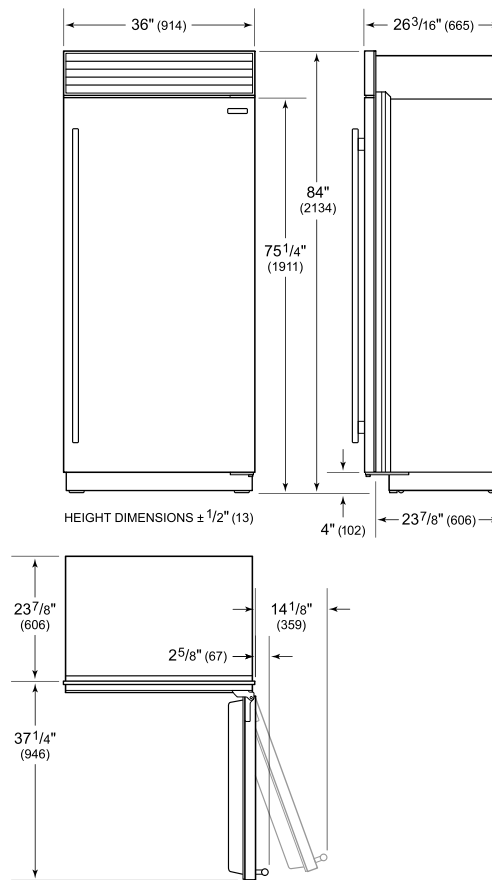
**NOTE:** Dimensions in parenthesis are in millimeters unless otherwise specified

**INTERIOR VIEW**

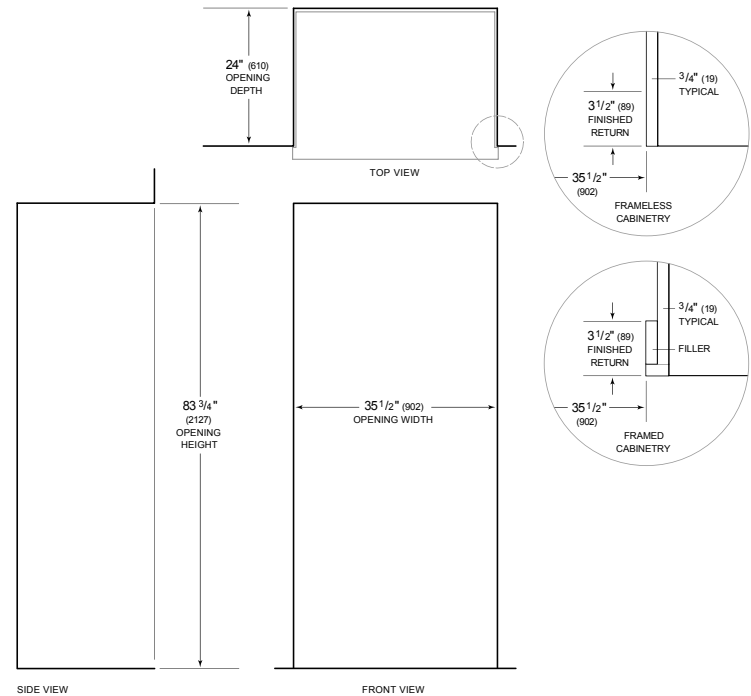


This illustration is intended for interior reference only and may not represent the exterior of the model being specified.

**DIMENSIONS**



**STANDARD INSTALLATION**



**NOTE:** 3 1/2" (89) finished returns will be visible and should be finished to match cabinetry  
Shaded line represents profile of unit.