

ICBCL3650UFDID/S



FEATURES

- Product availability pending in country approval

- ClearSight™ LED lighting system fully illuminates the interior and reduces shadows

- Sleek stainless accents trim the interior, matching the sophistication of the exterior

- Touch control panel is conveniently located for easy access at the tap of a finger

- Night Mode optimizes the interior lighting based on the detected ambient light, reducing the brightness by 90% in dim environments

- Activate Max Ice Mode to temporarily increase ice production

- Lift the base of the flip-up dairy compartments to store taller items on the shelf below

- The base of the expandable freezer basket conveniently slides out of the way, offering customizable storage for taller items below

- Stainless-steel exterior and tubular or pro handles to match other Sub-Zero and Wolf products

- Delivers fresh, filtered water through an internal dispenser located discreetly within the refrigerator

- Delivers fresh, filtered water and ice through an internal dispenser located discreetly within the refrigerator

- Split Climate™ intelligent cooling system revolutionizes Sub-Zero's already-superior preservation capabilities, keeping food even fresher for longer

- Position adjustable door bins at various heights to accommodate assorted items

- ClearSight™ LED lighting system fully illuminates the interior and reduces shadows

- Night Mode optimizes the interior lighting based on the detected ambient light, reducing the brightness by 90% in dim environments

- Touch control panel is conveniently located for easy access at the tap of a finger

- Sleek stainless accents trim the interior, matching the sophistication of the exterior

- Stainless-steel exterior and tubular or pro handles to match other Sub-Zero and Wolf products

- Lift the base of the flip-up dairy compartments to store taller items on the shelf below

- The base of the expandable freezer basket conveniently slides out of the way, offering customizable storage for taller items below

- Activate Max Ice Mode to temporarily increase ice production

ACCESSORIES

- 7007506-Egg Container

- 7042798-Air Purification Cartridge

- Stainless steel kickplate

- Grilles for 2108 mm or 2235 mm finished height (2134 mm is standard)



HANDLE OPTIONS



PRODUCT DETAILS

REFRIGERATOR

- 4 glass refrigerator shelves (3 adjustable; 1 stationary)
- 2 crisper drawers with removable dividers
- 4 adjustable refrigerator door bins
- 2 flip-up dairy compartments
- Air purification system
- Internal water dispenser
- LED refrigerator and freezer lights

FREEZER

- Full-extension drawer with expandable freezer basket
- Water filtration system
- Automatic ice maker with removable ice container

Side panel mounting kit

Grilles for 2108 mm or 2235 mm finished height (2134 mm is standard)

90° door stop

Replacement water filter

Stainless steel kickplate

Replacement air purification cartridge

Dozen egg container

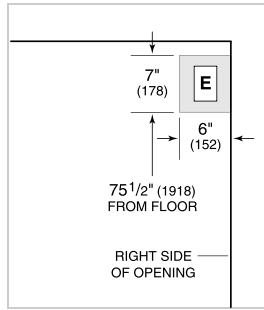
Accessories are available through an authorized dealer.
For local dealer information, visit subzero-wolf.com/locator.

Specifications are subject to change without notice. This information was generated on July 14, 2022. Verify specifications prior to finalizing your cabinetry/enclosures.

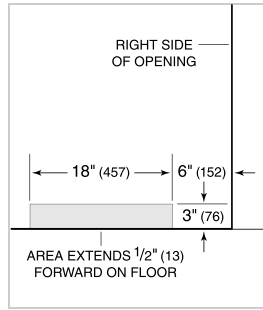
PRODUCT SPECIFICATIONS

Model	ICBCL3650UFDID/S
Dimensions	914mmW x 2134mmH x 610mmD
Weight	260 kg
Refrigerator Gross Capacity	439 L
Freezer Gross Capacity	148 L
Electrical Supply	220-240 VAC; 50/60 Hz
Electrical Service	≤ 4 A
Receptacle	3-prong grounding-type

ELECTRICAL



PLUMBING



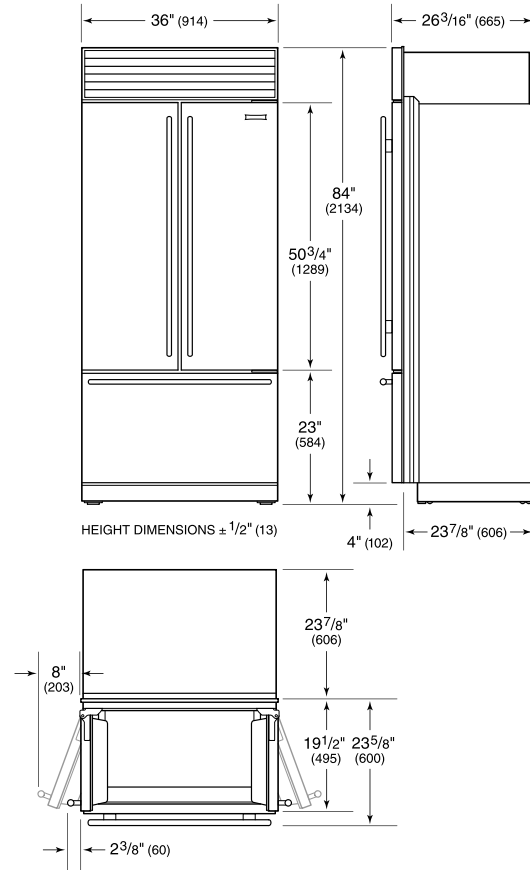
NOTE: Dimensions in parenthesis are in millimeters unless otherwise specified

INTERIOR VIEW

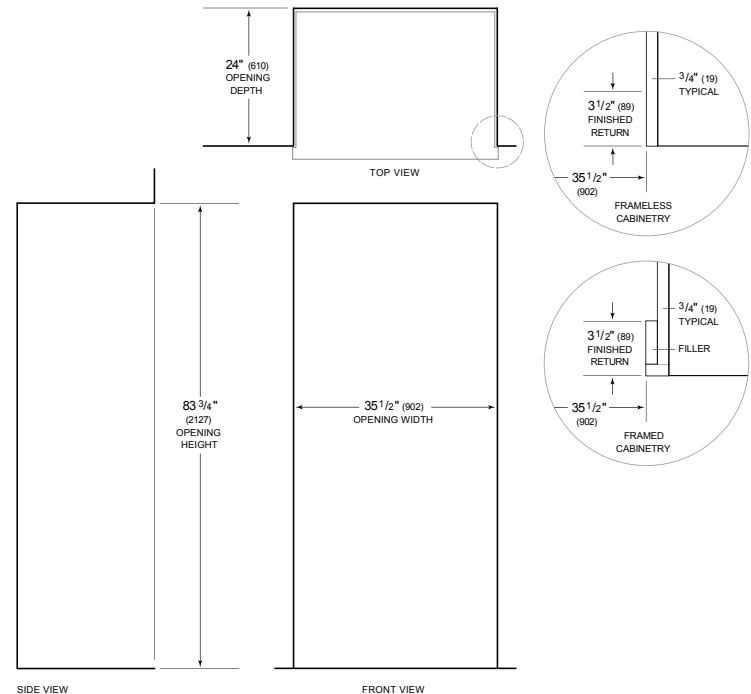


This illustration is intended for interior reference only and may not represent the exterior of the model being specified.

DIMENSIONS



STANDARD INSTALLATION



NOTE: 3 1/2" (89) finished returns will be visible and should be finished to match cabinetry
Shaded line represents profile of unit.