

ICBCL4250S/O



**FEATURES**

Product availability pending in country approval

ClearSight™ LED lighting system fully illuminates the interior and reduces shadows

Night Mode optimizes the interior lighting based on the detected ambient light, reducing the brightness by 90% in dim environments

Touch control panel is conveniently located for easy access at the tap of a finger

Sleek stainless accents trim the interior, matching the sophistication of the exterior

Split Climate™ intelligent cooling system revolutionizes Sub-Zero's already-superior preservation capabilities, keeping food even fresher for longer

Lift the base of the flip-up dairy compartments to store taller items on the shelf below

Accepts custom panels for an integrated look within cabinetry or stainless-steel accessory panels and handles to match other Sub-Zero and Wolf products

Fresh-tasting, odorless, filtered ice ready on-demand and activate Max Ice Mode to temporarily increase ice production

Position adjustable door bins at various heights to accommodate assorted items

Sub-Zero offers an industry-leading full two-year warranty on appliances, along with a full five-year sealed system warranty

**ACCESSORIES**

7007506-Egg Container

7042798-Air Purification Cartridge

Stainless steel kickplate

Grilles for 2108 mm or 2235 mm finished height (2134 mm is standard)

Side panel mounting kit

Grilles for 2108 mm or 2235 mm finished height (2134 mm is standard)

90° door stop

Replacement water filter

Stainless steel kickplate

Custom front panel mounting kit

Side panel mounting kit

Grille Frame - 2134 mm

Stainless steel flush inset grille panel

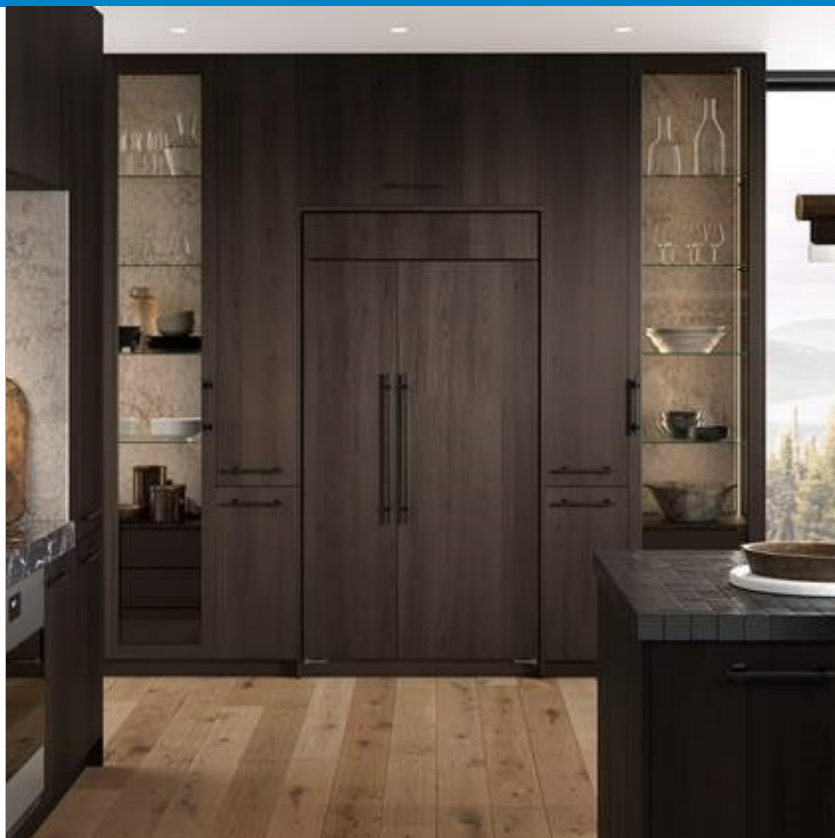
Stainless steel side panel

Stainless Steel Pro Handles

Stainless Steel Tubular Handles

Replacement air purification cartridge

Dozen egg container



**HANDLE ACCESSORIES**

PRO



TUBULAR



**PRODUCT DETAILS**

**REFRIGERATOR**

- 5 glass refrigerator shelves (4 adjustable; 1 stationary)
- 4 crisper drawers with removable dividers
- 5 refrigerator door bins (3 adjustable; 2 stationary)
- Air purification system
- LED refrigerator and freezer lights

**FREEZER**

- 5 adjustable door bins
- 2 storage drawers
- Ice drawer with automatic ice maker
- Water filtration system

Stainless steel flush inset door and drawer panels with pro handle

---

Stainless steel flush inset door and drawer panels with tubular handle

---

Classic stainless steel pro louvered grilles

Accessories are available through an authorized dealer.  
For local dealer information, visit [subzero-wolf.com/locator](https://www.subzero-wolf.com/locator).

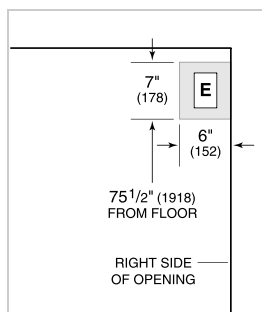
---

Specifications are subject to change without notice. This information was generated on July 14, 2022. Verify specifications prior to finalizing your cabinetry/enclosures.

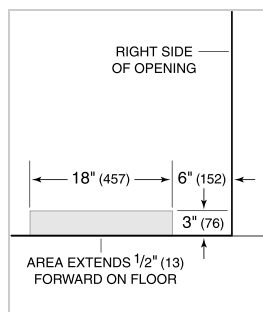
**PRODUCT SPECIFICATIONS**

Model	ICBCL4250S/O
Dimensions	1067mmW x 2134mmH x 610mmD
Weight	281 kg
Refrigerator Gross Capacity	452 L
Freezer Gross Capacity	248 L
Electrical Supply	220-240 VAC; 50/60 Hz
Electrical Service	≤ 4 A
Receptacle	3-prong grounding-type

**ELECTRICAL**

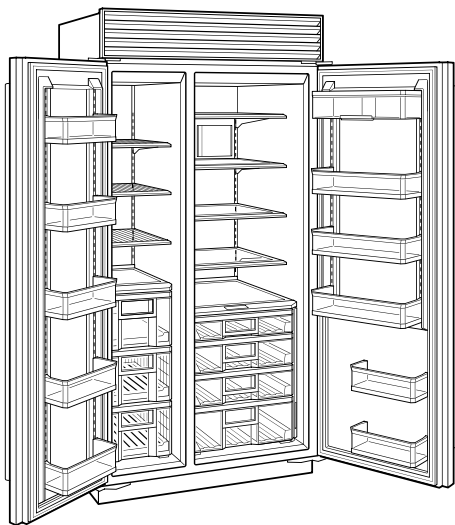


**PLUMBING**



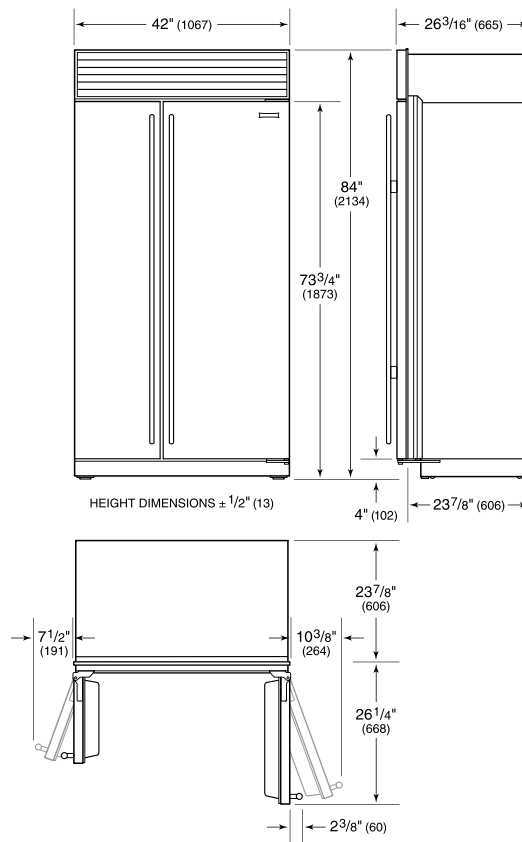
**NOTE:** Dimensions in parenthesis are in millimeters unless otherwise specified

**INTERIOR VIEW**

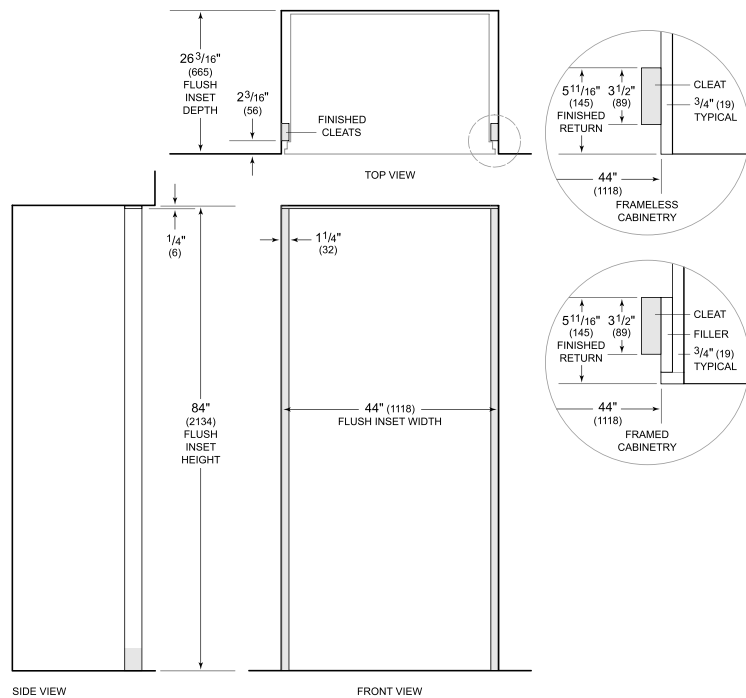


This illustration is intended for interior reference only and may not represent the exterior of the model being specified.

**DIMENSIONS**



**FLUSH INSET INSTALLATION**



**NOTE:** 3/2" (89) finished returns and shaded areas will be visible and should be finished to match cabinetry. Shaded line represents profile of unit with 3/4" (19) panel.