

NEW GENERATION
INTERNATIONAL DESIGN GUIDE



Contents

- 3 Integrated Refrigeration
- 4 Specifications
- 8 Custom Panels
- 12 Wine Storage
- 13 Specifications
- 17 Custom Panels
- 20 Sub-Zero Warranty

Features and specifications are subject to change at any time without notice.

IMPORTANT NOTE: Throughout this guide, dimensions may vary by ± 3 mm.

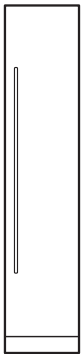
Integrated Refrigeration

With custom front panels and hardware, Sub-Zero invented integrated columns, tall and drawer models that disappear into the decor. Integrated units fit flush with other cabinets, making integrated refrigeration as practical and beautiful in the master suite, bar or theatre room as in the kitchen.

KEY FEATURES

- Custom front panels and hardware allow for infinite design options.
- Point-of-use refrigeration that can be placed anywhere in the home.
- Dual refrigeration; two compressors preserve food's goodness in self-contained compartments.
- Energy efficient. All models rated A+ or higher.
- Star-K certified.

INTEGRATED MODELS



ICBIC-18FI



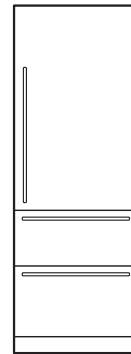
ICBIC-24R
ICBIC-24FI



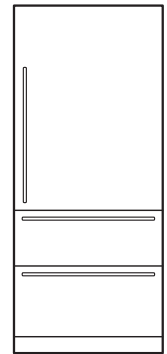
ICBIC-30RID
ICBIC-30FI



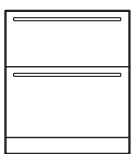
ICBIC-36RID



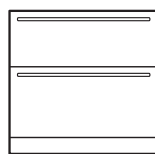
ICBIT-30RID
ICBIT-30CIID



ICBIT-36CIID



ICBID-30RP
ICBID-30CI



ICBID-36CI

Specifications

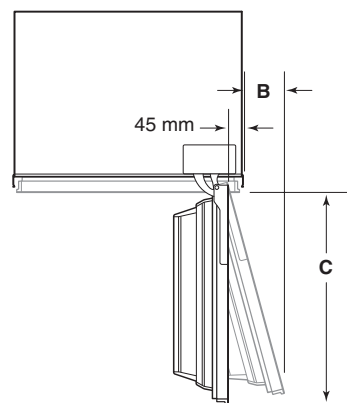
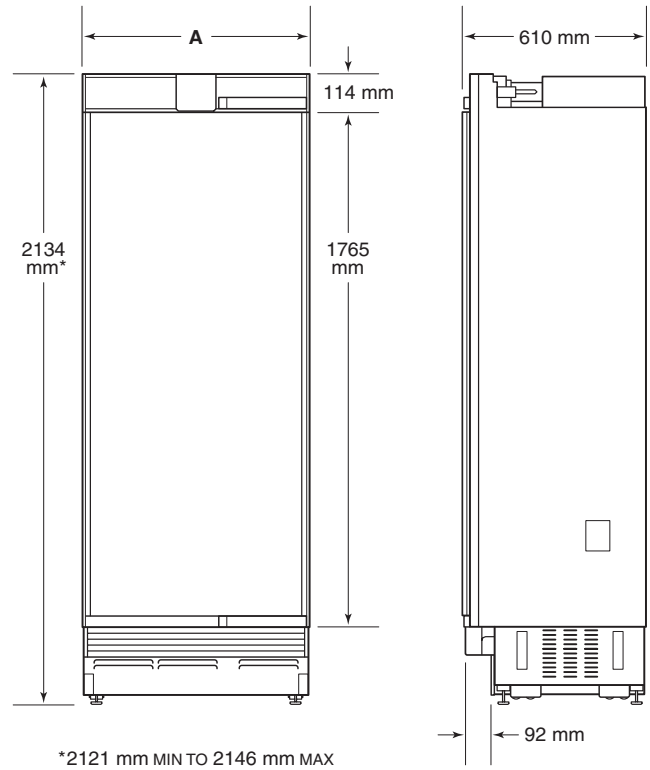
INTERIOR CAPACITY	R (L)	F (L)
COLUMN		
ICBIC-18FI		230
ICBIC-24R	352	
ICBIC-24FI		338
ICBIC-30RID	475	
ICBIC-30FI		415
ICBIC-36RID	590	
TALL		
ICBIT-30RID	397	
ICBIT-30CIID	295	95
ICBIT-36CIID	359	130
DRAWER		
ICBID-30RP	138	
ICBID-30CI	58	39
ICBID-36CI	72	49

SHIPPING WEIGHT	kg
COLUMN	
ICBIC-18FI	118
ICBIC-24R, ICBIC-24FI	154
ICBIC-30RID, ICBIC-30FI	181
ICBIC-36RID	200
TALL	
ICBIT-30RID, ICBIT-30CIID	181
ICBIT-36CIID	209
DRAWER	
ICBID-30RP, ICBID-30CI	95
ICBID-36CI	113

IMPORTANT NOTE: Overall dimensions do not include panels or handles. Dimensions will vary with panel thickness.

Overall Dimensions

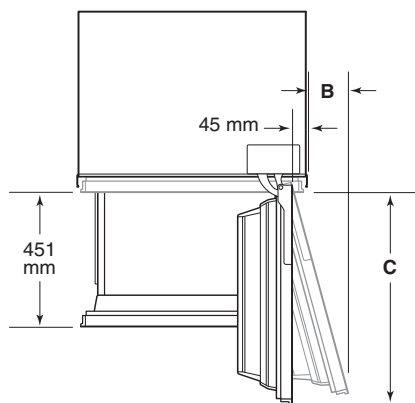
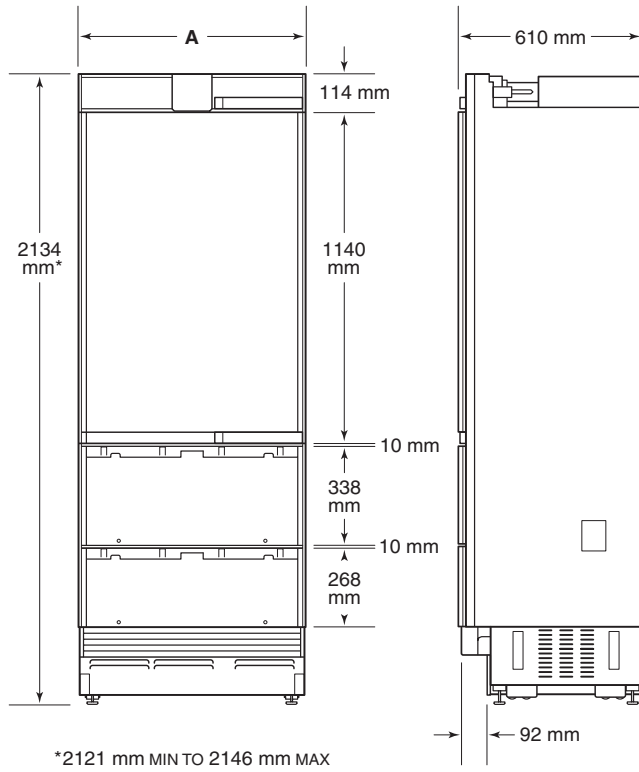
COLUMN



COLUMN	A	B	C
ICBIC-18FI	457 mm	64 mm	419 mm
ICBIC-24R, ICBIC-24FI	610 mm	102 mm	572 mm
ICBIC-30RID, ICBIC-30FI	762 mm	143 mm	724 mm
ICBIC-36RID	914 mm	184 mm	876 mm

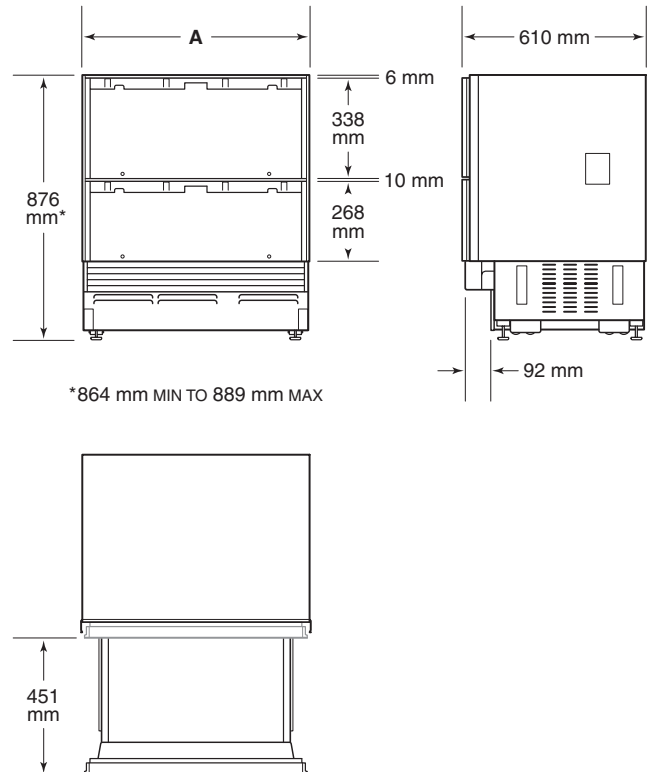
Overall Dimensions

TALL



TALL	A	B	C
ICBIT-30RID, ICBIT-30CIID	762 mm	143 mm	724 mm
ICBIT-36CIID	914 mm	184 mm	876 mm

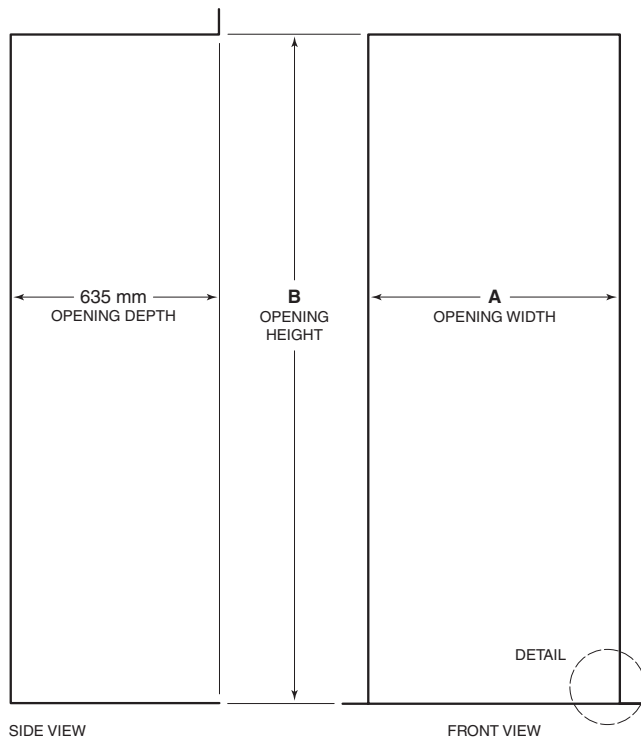
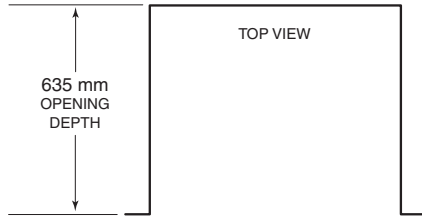
DRAWER



DRAWER	A
ICBID-30RP, ICBID-30CI	762 mm
ICBID-36CI	914 mm

Opening Dimensions

INTEGRATED MODELS



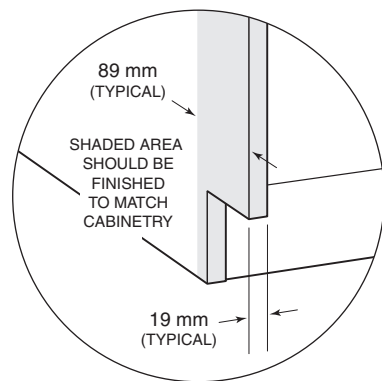
OPENING DIMENSIONS		
COLUMN	A	B
ICBIC-18FI	457 mm	2134 mm
ICBIC-24R, ICBIC-24FI	610 mm	2134 mm
ICBIC-30RID, ICBIC-30FI	762 mm	2134 mm
ICBIC-36RID	914 mm	2134 mm
TALL	A	B
ICBIT-30RID, ICBIT-30CIID	762 mm	2134 mm
ICBIT-36CIID	914 mm	2134 mm
DRAWER	A	B
ICBID-30RP, ICBID-30CI	762 mm	876 mm
ICBID-36CI	914 mm	876 mm

The depth of each integrated model is 610 mm. Allow for panel thickness when planning the finished opening depth. Approximately 89 mm of the opening depth may be visible when the door/drawers are open and should be finished to match cabinetry. Refer to the illustration below.

DUAL INSTALLATION

When installing two units side by side in a dual installation, the opening width is the width of the two units added together. A dual installation kit will be required for this installation. If a dual installation kit is not specified, a minimum 51 mm filler strip is required between units.

Dual installation kits are available through an authorized Sub-Zero dealer. For questions regarding the installation, contact your authorized Sub-Zero dealer.



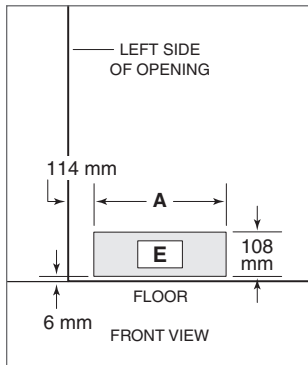
Electrical

The electrical supply must be located within the shaded area shown in the illustration and chart below. A separate circuit, servicing only this appliance is required. A ground fault circuit interrupter (GFCI) is not recommended and may cause interruption of operation.

Installation must comply with all applicable electrical codes.

ELECTRICAL REQUIREMENTS	
Power Supply	220-240 V AC, 50/60 Hz
Circuit Breaker	10 amp
Receptacle	grounding-type (earthed)

ELECTRICAL SUPPLY LOCATION	
WIDTH	A
457 mm Model	152 mm
610 mm Model	241 mm
762 mm Model	318 mm
914 mm Model	394 mm



Electrical supply location.

Plumbing

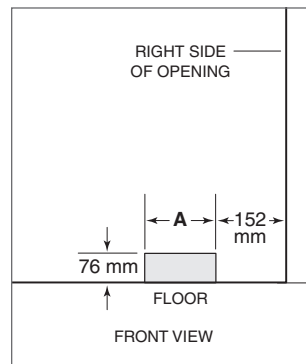
The water supply line should be located within the shaded area shown in the illustrations below. The water supply line should be connected to the house supply with an easily accessible shut-off valve. Do not use self-piercing valves. The water supply line must not interfere with installation of the anti-tip bracket.

A reverse osmosis system can be used provided there is constant water pressure of 2.4–8.3 bar supplied to the unit at all times. A copper line is not recommended for this application.

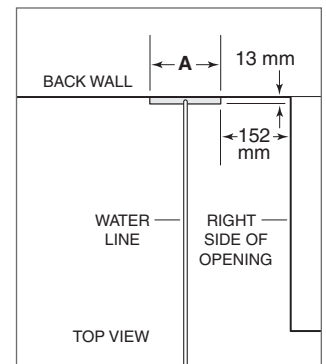
Installation must comply with all applicable plumbing codes.

PLUMBING REQUIREMENTS	
Water Supply Line	1/4" OD copper, braided stainless steel or PEX tubing
Water Pressure	2.4–8.3 bar
Excess Water Line for Connection	.9 m

WATER SUPPLY LOCATION	
WIDTH	A
457 mm Model	76 mm
610 mm Model	140 mm
762 mm Model	152 mm
914 mm Model	229 mm



Water supply location (rear).



Water supply location (bottom).

Custom Panels

For integrated models, custom door panels and handle hardware must be provided. Refer to the panel requirements chart and typical panel dimensions.

The thickness of the custom panel can vary. A minimum 16 mm thick panel is required, but the thickness can be increased provided it does not exceed the weight limit. The depth of each integrated model is 610 mm. Allow for panel thickness when planning the finished opening depth. Refer to the full-scale template on page 11.

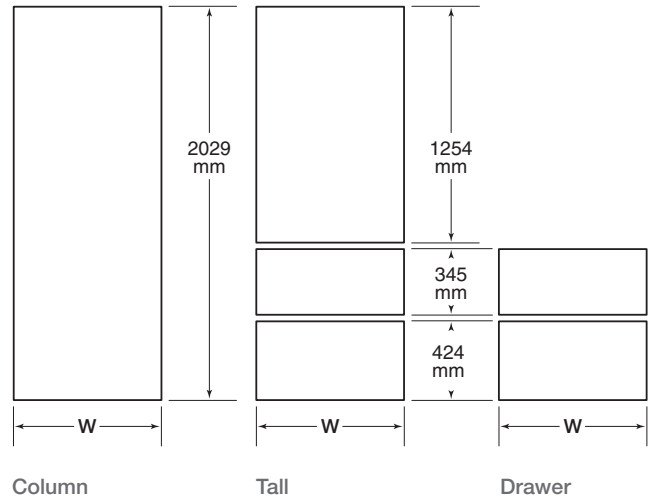
⚠ CAUTION
As reveals between cabinetry and the unit decrease, severe finger pinching can occur while door is closing.

Finish all sides of custom panels. They will be visible when the door/drawer is open.

D-style handles are recommended. Door handles must be located near the edge of the panel opposite the hinge and should be centered top to bottom. Drawer handles must be located near the top edge of each panel. Stainless steel tubular and pro handles are available through an authorized Sub-Zero dealer.

PANEL REQUIREMENTS	
COLUMN	MAX WEIGHT
457 mm Model	20 kg
610 mm Model	27 kg
762 mm / 914 mm Model	34 kg
TALL (DOOR)	MAX WEIGHT
762 mm Model	22 kg
914 mm Model	27 kg
DRAWER	MAX WEIGHT
Drawer Panel	7 kg
PANEL THICKNESS	MINIMUM
All Panels	16 mm

TYPICAL PANEL DIMENSIONS



Typical panel dimensions are based on a 2134 mm finished height for column and tall models and 876 mm for drawer models, with a 102 mm toe kick and 3 mm reveals. Panel dimensions must be adjusted accordingly for all other installations. Refer to the illustration for panel heights and the chart below for panel widths.

PANEL WIDTH	
MODEL	W
457 mm Model	451 mm
610 mm Model	603 mm
762 mm Model	756 mm
914 mm Model	908 mm

DUAL INSTALLATION

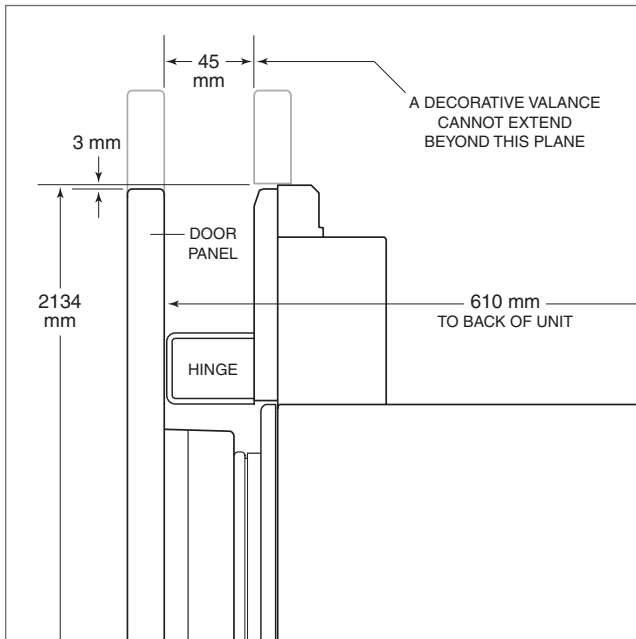
For dual installations, refer to the illustration for panel heights and the chart below for panel widths.

PANEL WIDTH	
MODEL	W
457 mm Model	452 mm
610 mm Model	605 mm
762 mm Model	757 mm
914 mm Model	910 mm

Custom Panels

DOOR PANEL HEIGHT

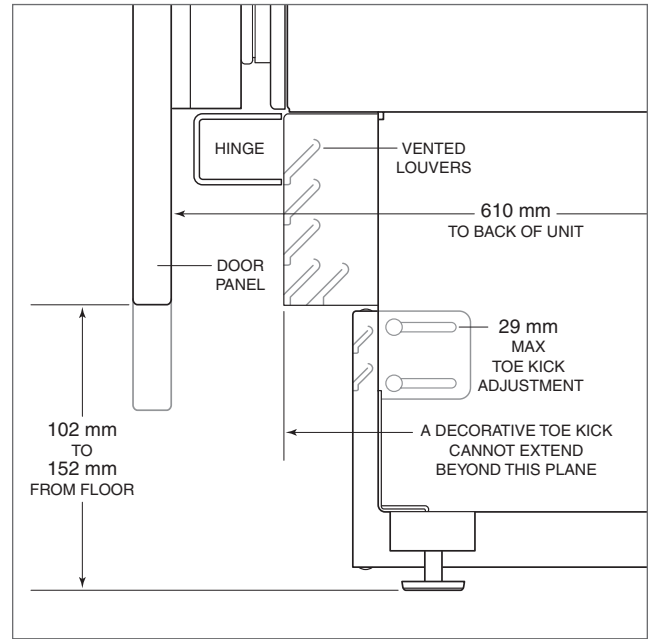
The height of the custom door panel can extend beyond the typical panel height, provided it does not exceed the weight limit. Refer to the illustration below.



Upper valance (column and tall)—side view.

TOE KICK CLEARANCE

The height of the toe kick area can extend beyond the typical toe kick height, provided it does not exceed the dimensions in the illustration below.



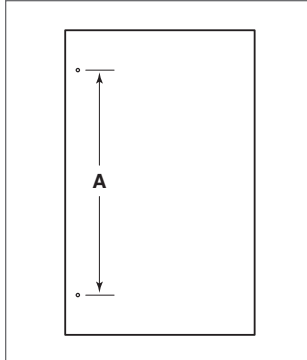
Toe kick—side view.

Handle Hardware

Optional stainless steel tubular and pro handles are available through an authorized Sub-Zero dealer.

Refer to the chart and illustration below for the length and stud spacing of standard handles for integrated models.

HANDLE LENGTH		A
TUBULAR HANDLE		
1273 mm		1197 mm
845 mm		768 mm
692 mm		616 mm
616 mm		540 mm
540 mm		464 mm
PRO HANDLE		
1229 mm		1197 mm
800 mm		768 mm
648 mm		616 mm
572 mm		540 mm
495 mm		464 mm

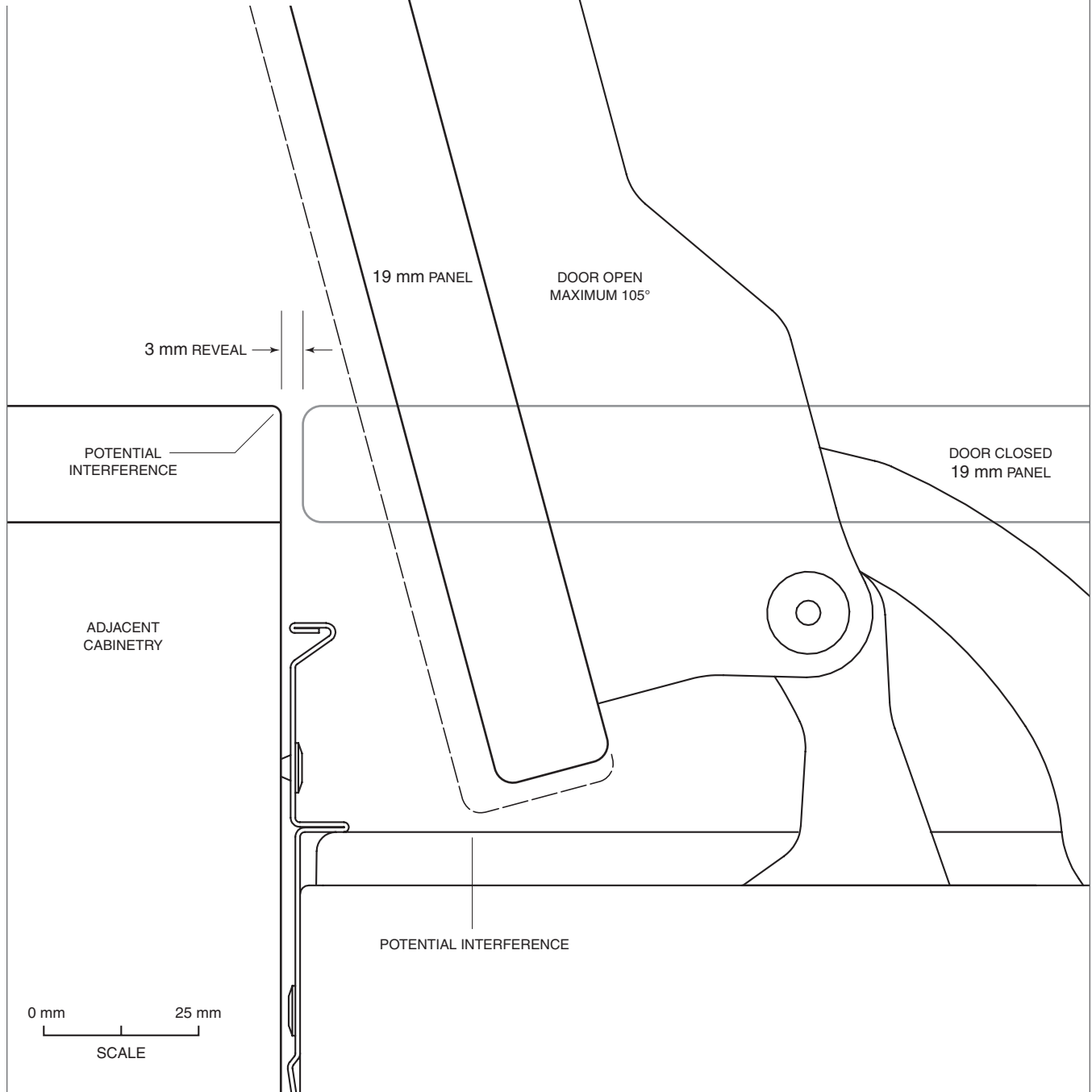


Stud spacing.

Maximum Door Opening

FULL-SCALE TEMPLATE

As the panel width and/or depth increases, so does the potential for panel interference. Interference may be minimized by utilizing the 90° door stop.



Maximum door opening (top view).

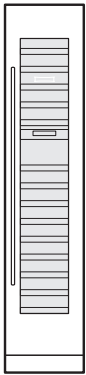
Wine Storage

Wine finds a well-deserved place of honor in a Sub-Zero wine storage unit. Every detail is designed to ensure better wine preservation. Cherrywood-faced racks, soft lighting, custom cabinetry if desired—Sub-Zero helps make a wine collection an element of beauty in the home.

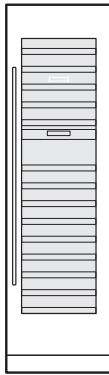
KEY FEATURES

- Custom front panels and hardware allow for infinite design options.
- Inventory system helps organize wine collection.
- Full-view glass door standard on all models.
- Discreet interior lighting with illuminated display shelf for prized bottles of wine.
- Two independent storage zones maintain temperature, humidity and UV protection.
- Full extension, cherrywood-faced wine racks for easy access.
- Wine shelves accommodate 750 ml bottles, half-bottles and magnums.
- Star-K certified.

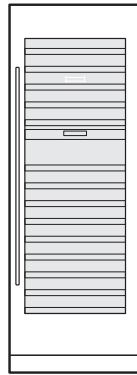
WINE STORAGE MODELS



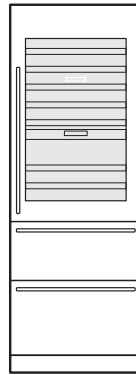
ICBIW-18



ICBIW-24



ICBIW-30



ICBIW-30R

Specifications

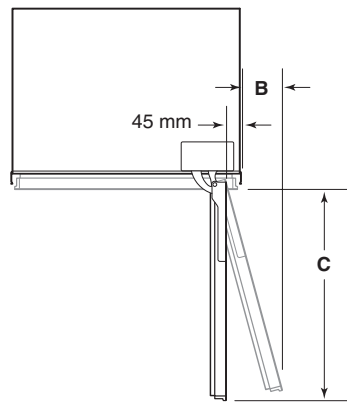
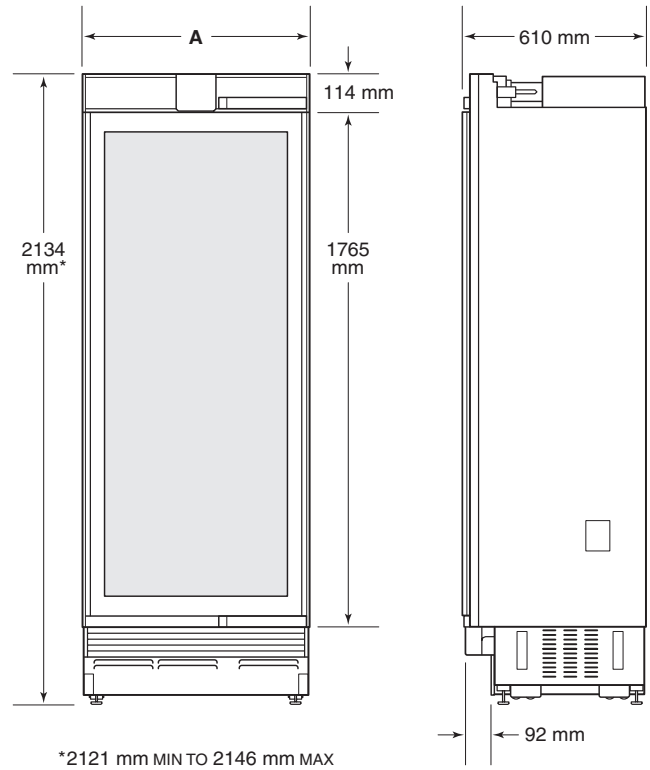
INTERIOR CAPACITY	R (L)	(750 ml)
COLUMN		
ICBIW-18		59 Bottles
ICBIW-24		102 Bottles
ICBIW-30		146 Bottles
TALL		
ICBIW-30R	113	86 Bottles

SHIPPING WEIGHT	kg
COLUMN	
ICBIW-18	TBD
ICBIW-24	TBD
ICBIW-30	TBD
TALL	
ICBIW-30R	TBD

IMPORTANT NOTE: Overall dimensions do not include panels or handles. Dimensions will vary with panel thickness.

Overall Dimensions

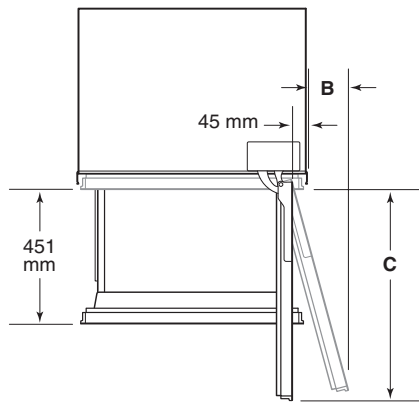
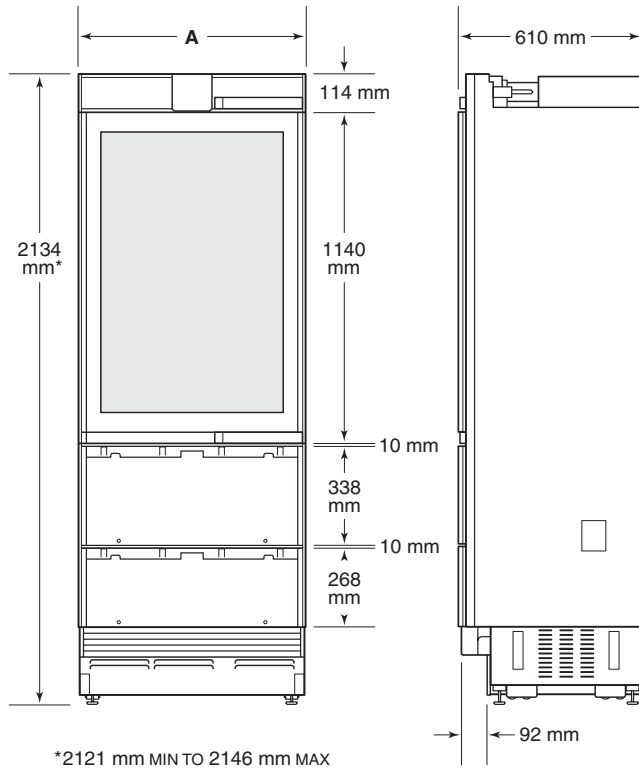
COLUMN



COLUMN	A	B	C
ICBIW-18	457 mm	64 mm	419 mm
ICBIW-24	610 mm	102 mm	572 mm
ICBIW-30	762 mm	143 mm	724 mm

Overall Dimensions

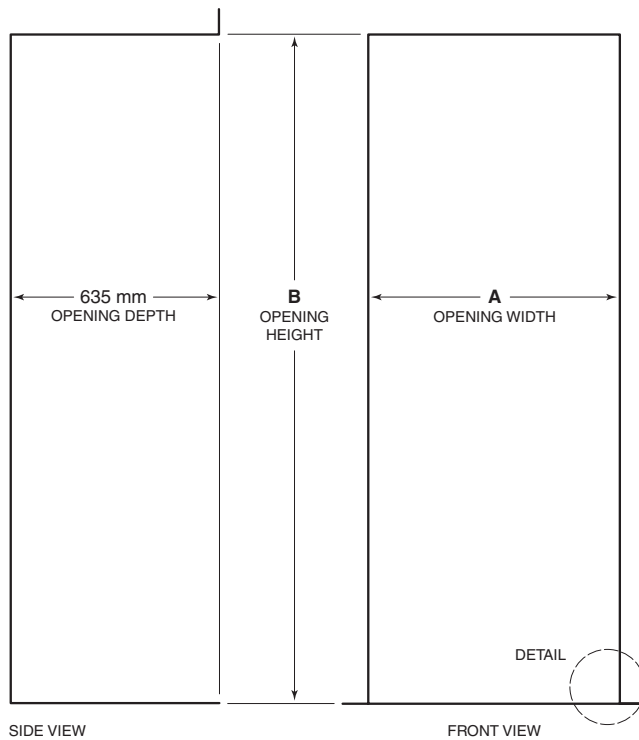
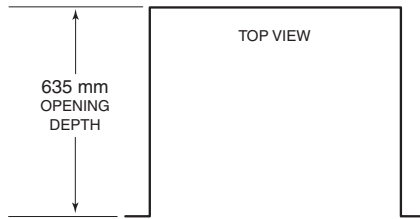
TALL



TALL	A	B	C
ICBIW-30	762 mm	143 mm	724 mm

Opening Dimensions

WINE STORAGE



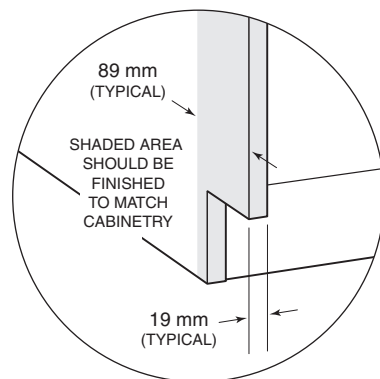
OPENING DIMENSIONS		
COLUMN	A	B
ICBIW-18	457 mm	2134 mm
ICBIW-24	610 mm	2134 mm
ICBIW-30	762 mm	2134 mm
TALL	A	B
ICBIW-30R	762 mm	2134 mm

The depth of each wine storage model is 610 mm. Allow for panel thickness when planning the finished opening depth. Approximately 89 mm of the opening depth may be visible when the door/drawers are open and should be finished to match cabinetry. Refer to the illustration below.

DUAL INSTALLATION

The wine storage unit can be installed next to an integrated unit or another wine storage unit in a dual installation. When installing two units side by side, the opening width is the width of the two units added together. A dual installation kit will be required for this installation. If a dual installation kit is not specified, a minimum 51 mm filler strip is required between units.

Dual installation kits are available through an authorized Sub-Zero dealer. For questions regarding the installation, contact your authorized Sub-Zero dealer.



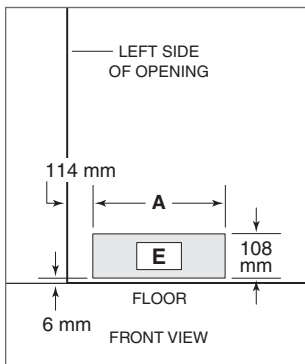
Electrical

The electrical supply must be located within the shaded area shown in the illustration and chart below. A separate circuit, servicing only this appliance is required. A ground fault circuit interrupter (GFCI) is not recommended and may cause interruption of operation.

Installation must comply with all applicable electrical codes.

ELECTRICAL REQUIREMENTS	
Power Supply	220-240 V AC, 50/60 Hz
Circuit Breaker	10 amp
Receptacle	grounding-type (earthed)

ELECTRICAL SUPPLY LOCATION	
WIDTH	A
457 mm Model	152 mm
610 mm Model	241 mm
762 mm Model	318 mm



Electrical supply location.

Custom Panels

For wine storage models, custom door panels and handle hardware must be provided. Refer to the panel requirements chart and typical panel dimensions.

Do not install a solid panel on the glass door unit. A solid door is available as a sales accessory through an authorized Sub-Zero dealer.

The thickness of the custom panel can vary. A minimum 16 mm thick panel is required, but the thickness can be increased provided it does not exceed the weight limit. The depth of each integrated model is 610 mm. Allow for panel thickness when planning the finished opening depth. Refer to the full-scale template on page 11.

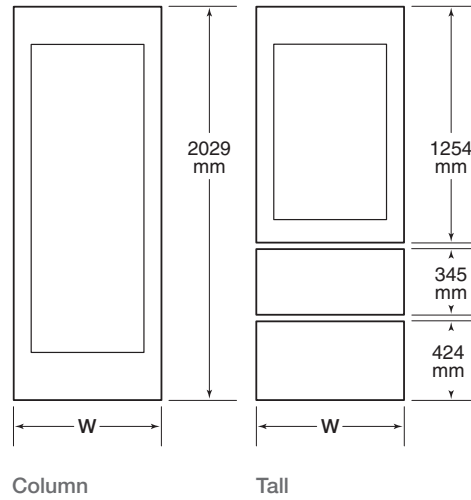
CAUTION
As reveals between cabinetry and the unit decrease, severe finger pinching can occur while door is closing.

Finish all sides of custom panels. They will be visible when the door/drawer is open.

D-style handles are recommended. Door handles must be located near the edge of the panel opposite the hinge and should be centered top to bottom. Drawer handles must be located near the top edge of each panel. Stainless steel tubular and pro handles are available through an authorized Sub-Zero dealer.

PANEL REQUIREMENTS	
STILES / RAILS	WIDTH
Stiles	83 mm
Top Rail	197 mm
Bottom Rail	241 mm
Bottom Rail (ICBIW-30R)	114 mm
PANEL WEIGHT	MAX
Door Frame	16 kg
Door Frame (ICBIW-30R)	11 kg
Drawer Panel	7 kg
PANEL THICKNESS	MIN
All Panels	16 mm

TYPICAL PANEL DIMENSIONS



Typical panel dimensions are based on a 2134 mm finished height, 102 mm toe kick and 3 mm reveals. Panel dimensions must be adjusted accordingly for all other installations. Refer to the illustration for panel heights and the chart below for panel widths.

PANEL WIDTH	
MODEL	W
457 mm Model	451 mm
610 mm Model	603 mm
762 mm Model	756 mm

DUAL INSTALLATION

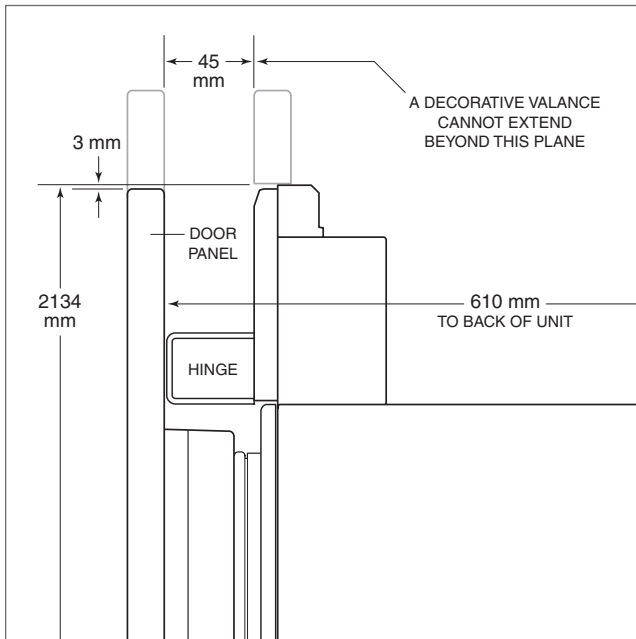
For dual installations, refer to the illustration for panel heights and the chart below for panel widths.

PANEL WIDTH	
MODEL	W
457 mm Model	452 mm
610 mm Model	605 mm
762 mm Model	757 mm

Custom Panels

DOOR PANEL HEIGHT

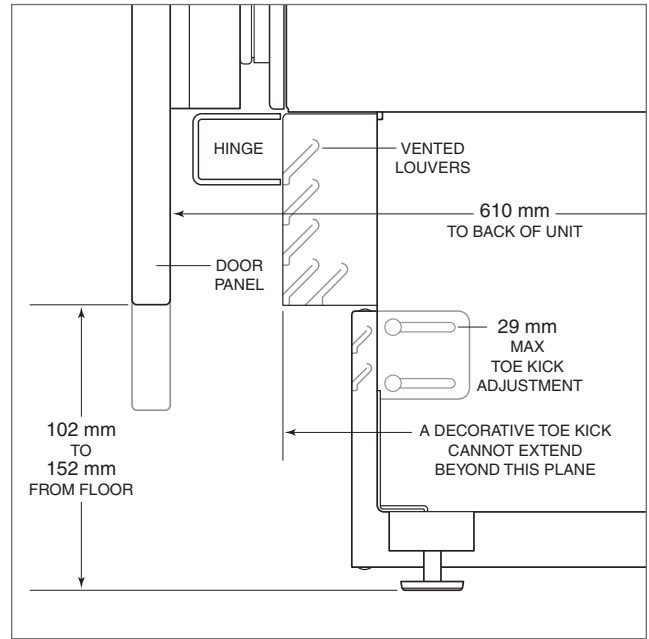
The height of the custom door panel can extend beyond the typical panel height, provided it does not exceed the weight limit. Refer to the illustration below.



Upper valance—side view.

TOE KICK CLEARANCE

The height of the toe kick area can extend beyond the typical toe kick height, provided it does not exceed the dimensions in the illustration below.



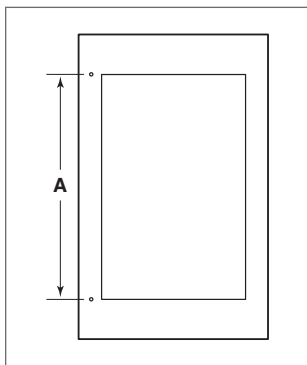
Toe kick—side view.

Handle Hardware

Optional stainless steel tubular and pro handles are available through an authorized Sub-Zero dealer.

Refer to the chart and illustration below for the length and stud spacing of standard handles for wine storage models.

HANDLE LENGTH		A
TUBULAR HANDLE		
1273 mm		1197 mm
845 mm		768 mm
692 mm		616 mm
616 mm		540 mm
540 mm		464 mm
PRO HANDLE		
1229 mm		1197 mm
800 mm		768 mm
648 mm		616 mm
572 mm		540 mm
495 mm		464 mm



Stud spacing.

Sub-Zero Products Limited Warranty

INTERNATIONAL PRODUCTS
FOR RESIDENTIAL USE ONLY

FULL TWO YEAR WARRANTY

For two years from the date of original installation, your Sub-Zero product warranty covers all parts and labor to repair or replace, under normal residential use, any part of the product that proves to be defective in materials or workmanship. All service provided by Sub-Zero under the above warranty must be performed by Sub-Zero factory certified service, unless otherwise specified by Sub-Zero, Inc. Service will be provided during normal business hours.

FULL FIVE YEAR SEALED SYSTEM WARRANTY

For five years from the date of original installation, your Sub-Zero product warranty covers all parts and labor to repair or replace, under normal residential use, the compressor, condenser, evaporator, drier and all connecting tubing that prove to be defective in materials or workmanship. All service provided by Sub-Zero under the above warranty must be performed by Sub-Zero factory certified service, unless otherwise specified by Sub-Zero, Inc. Service will be provided during normal business hours.



Sub-Zero, Sub-Zero & Design, Dual Refrigeration, Constant Care, The Living Kitchen, Great American Kitchens The Fine Art of Kitchen Design, and Ingredients are registered trademarks and service marks of Sub-Zero, Inc. Wolf, Wolf & Design, Wolf Gourmet, W & Design and the color red as applied to knobs are registered trademarks and service marks of Wolf Appliance, Inc. (collectively, the "Company Marks.") All other trademarks or registered trademarks are property of their respective owners in the United States and other countries.

SUB-ZERO, INC.
PO BOX 44848
MADISON, WI 53744 USA
WWW.SUBZERO.COM

