

## FEATURES

- Two refrigerator storage drawers.
- Custom front panels and hardware allow for infinite design options.
- Point-of-use refrigeration that can be placed anywhere in the home.
- Redesigned sleek, minimalist interior is lit by LEDs to reduce heat.
- Interactive control panel with touch screen and precise temperature control.
- Air purification system reduces odors, bacteria, viruses and ethylene gas (model ID-30RP).
- Crisper drawer provides a lower-temperature, higher-humidity freshness preservation zone (model ID-30RP).
- Full-extension storage drawers.
- Sliding crisper cover (model ID-30RP).
- Smart Grid ready.
- ENERGY STAR® qualified.
- Star-K certified.



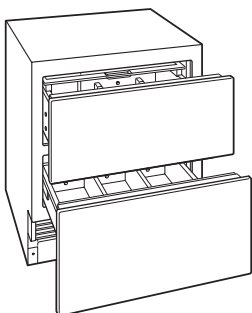
MODEL OPTIONS	
REFRIGERATOR	
Air purification	ID-30RP
Without air purification	ID-30R

INTERIOR FEATURES	
REFRIGERATOR	
Adjustable dividers	

## ACCESSORIES

- Stainless steel front panels with tubular or pro handles and 4" or 6" toe kick.
- Stainless steel tubular and pro handles.
- Dual installation kit.
- Crisper lid.
- Dozen egg container.

Accessories available through an authorized Sub-Zero dealer. For local dealer information, visit the find a showroom section of our website, subzero.com.



SPECIFICATIONS	
<b>PRODUCT</b>	
Dimensions	30"W x 34 <sup>1</sup> / <sub>2</sub> "H x 24"D
Weight	210 lb
<b>CAPACITY</b>	
Refrigerator	5.2 cu ft
<b>ELECTRICAL</b>	
Supply	115 VAC, 60 Hz
Service	15 amp circuit

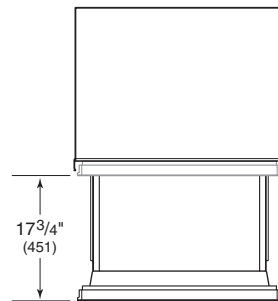
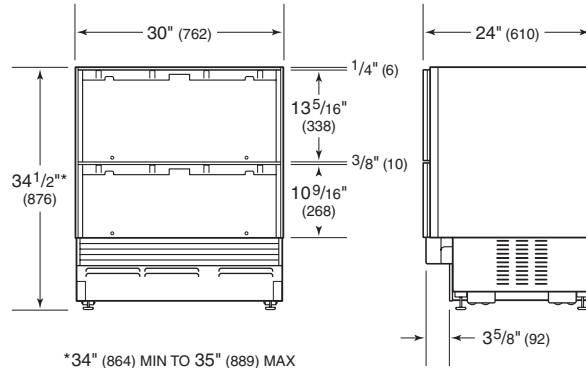
Overall dimensions do not include panels or handles. Dimensions will vary with panel thickness.

The depth of each integrated model is 24". Allow for panel thickness when planning the finished opening depth.

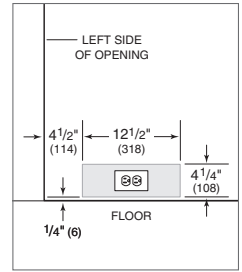
Specifications are subject to change without notice. Visit [subzero.com/specs](http://subzero.com/specs) for the most up-to-date information.

Dimensions may vary ±1/8" (3). Dimensions in parentheses are millimeters unless otherwise specified.

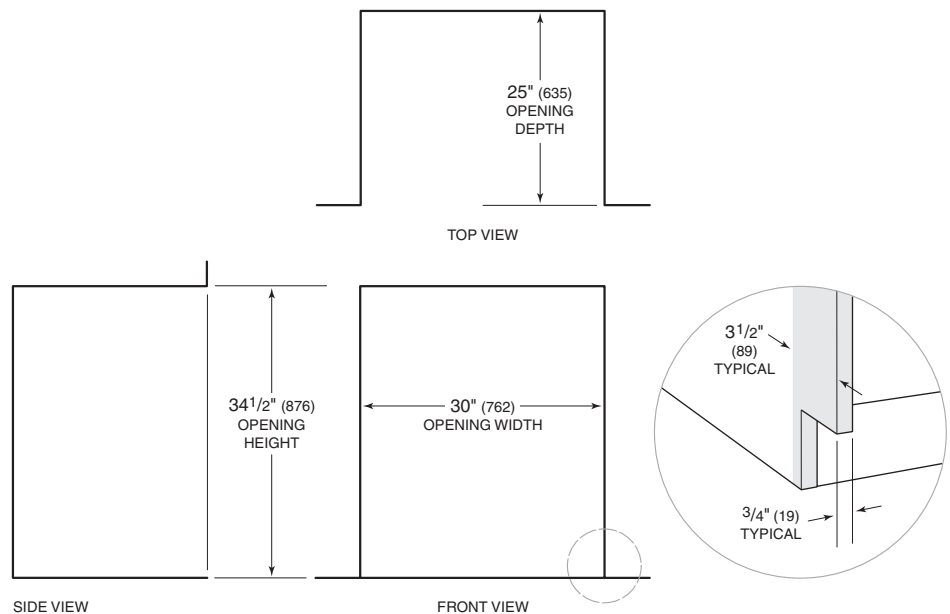
## DIMENSIONS



## ELECTRICAL



## INSTALLATION



NOTE: Shaded areas will be visible and should be finished to match cabinetry.