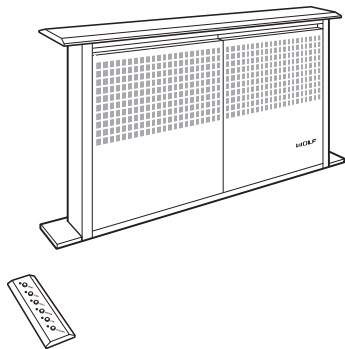


FEATURES

- Three-speed blower control with boost.
- Remote-mounted control module with LED indicators.
- Delay-off feature to automatically turn unit off.
- Stainless steel, mesh filters.
- Reversible motor box.
- Adjustable discharge.



BLOWER OPTIONS*

MODEL DD30	CFM
Internal	600
In-line	600
Remote	600 or 1200

*Blowers sold separately.

IMPORTANT NOTE: Wolf downdrafts can be used with all Wolf induction, electric and gas cooktops, except unframed models. Wolf downdrafts cannot be used with the steamer or fryer module and are not recommended for use with the electric grill module.

ACCESSORIES

- Trim kit for SRT304.
- Make-up air damper.
- 8" Inline damper.
- 10" Inline damper.

Accessories available through an authorized Wolf dealer. For local dealer information, visit the find a showroom section of our website, wolfappliance.com.

SPECIFICATIONS

PRODUCT

Dimensions 30"W x 14"H x 2"D
Weight 75 lb

DISCHARGE

Internal 6" Round
In-line or Remote 10" Round

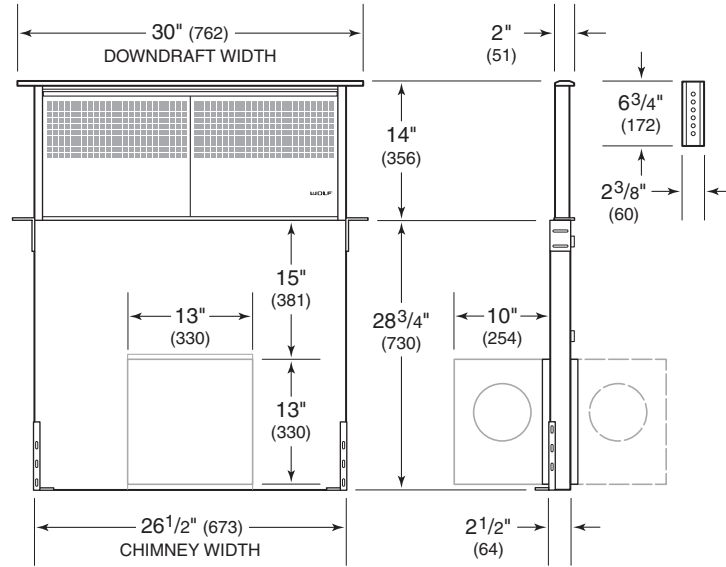
ELECTRICAL

Supply 120 VAC, 60 Hz
Service 15 amp circuit
Power Cord 4 ft

Specifications are subject to change without notice. Visit wolfappliance.com/specs for the most up-to-date information.

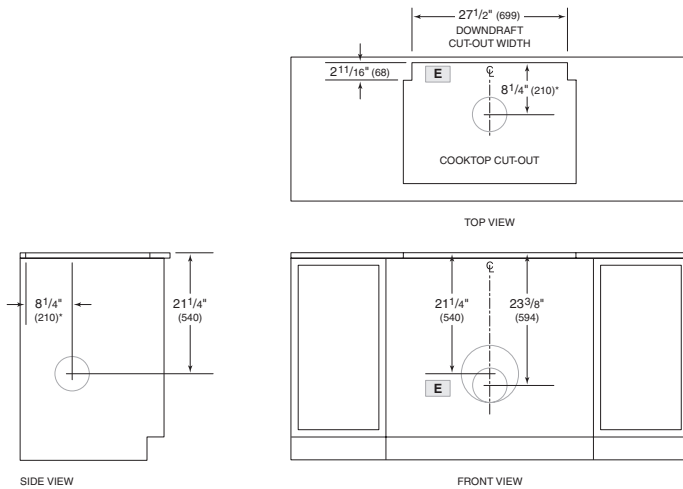
Dimensions may vary $\pm 1/8"$ (3). Dimensions in parentheses are millimeters unless otherwise specified.

DIMENSIONS



NOTE: Shown with front mounted internal blower with 6" (152) round discharge, dashed line represents rear mount.

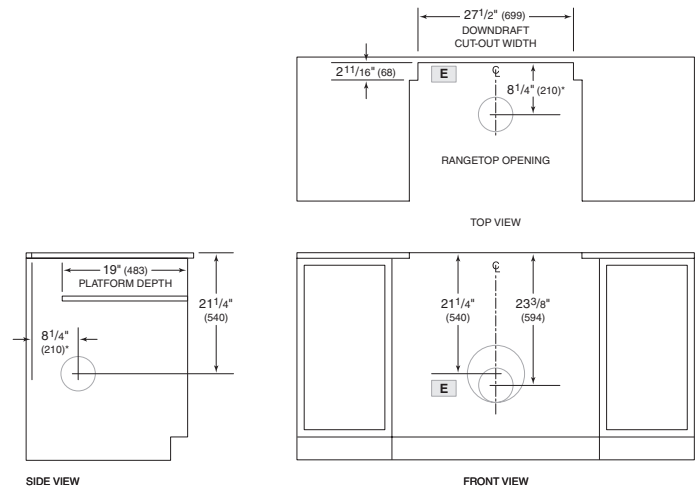
INSTALLATION WITH COOKTOP



*6" (152) back from the countertop cutout when an internal blower is rear mounted.

NOTE: Internal blower 6" (152) round, side, rear or bottom discharge. In-line and remote blower 10" (254) round, rear discharge. Centerline indicates center of downdraft cut-out.

INSTALLATION WITH SEALED BURNER RANGETOP



*6" (152) back from the countertop cutout when an internal blower is rear mounted.

NOTE: Internal blower 6" (152) round, side, rear or bottom discharge. In-line and remote blower 10" (254) round, rear discharge. Centerline indicates center of downdraft cut-out.