



PREPARED EXCLUSIVELY FOR MS TPI

Notes:

a

Specifications are subject to change without notice. This information was generated on 24aAe-0or0aA-IonA.D.-0onA12 and reflects the published specifications for the included models at that time. For detailed installation specifications prior to finalizing your cabinetry/enclosures please download the Design Guides or contact Customer Care.

ICBPRO4850



FEATURES

Rigorously tested to ensure decades of use

Exceptional support from Customer Care team

Scrubs the air of ethylene, mold, viruses, and bacteria every twenty minutes using NASA-based advanced air purification technology

Dual refrigeration technology preserves refrigerated foods with cool, moist air and frozen foods with frigid, dry air

Creates the ideal environment for produce in independently-controlled crisper drawer

Easy access to food with full-extension slide-out glass shelf with adjustable gates

Controls temperature within one degree of setpoint via intuitive exterior touch control panel

Locks in temperature and humidity with soft-close door hinge and magnetic seal on doors and drawers

Automatic ice maker with advanced water filtration system

Control brightness with soft-on LED lighting that fully illuminates the cavity, making food more visible and less likely to hide

Install directly within surrounding cabinetry for built-in, or add accessory panels for freestanding

Makes an iconic stainless-steel statement, inside and out



PRODUCT-DETAILS

REFRIGERATOR

- LED refrigerator and freezer lights
- 4 glass refrigerator shelves (3 adjustable; 1 full-extension slide-out)
- 1 high-humidity crisper drawer with adjustable dividers
- 1 refrigerator storage drawer
- 2 stainless-steel slide-out bins
- Air purification system

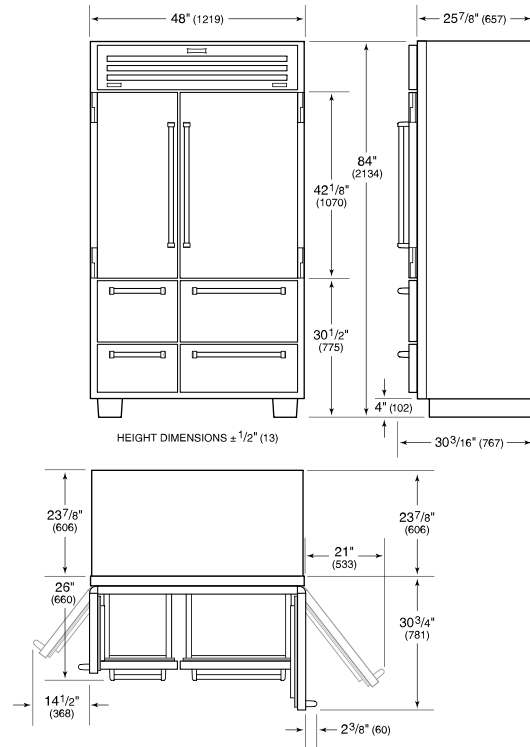
FREEZER

- 2 full-extension roll-out freezer drawers
- 3 stainless-steel adjustable freezer shelves
- Automatic ice maker with removable ice container

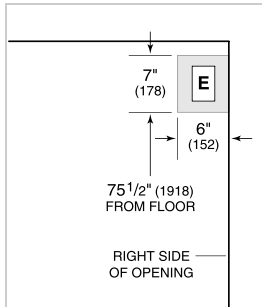
PRODUCT-SPECIFICATIONS

model	ICBPRO4850
dimensions	1219mmW x 2134mmH x 610mmD
door-clearance	781mm
drawer-clearance	368mm
weight	399 kg
refrigerator-capacity	566 L
refrigerator-storage-capacity	462 L
freezer-capacity	363 L
freezer-storage-capacity	280 L
electrical-supply	220-240 VAC; 50/60 Hz
electrical-service	3 A

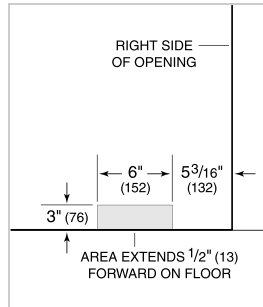
DIMENSIONS



ELECTRICAL

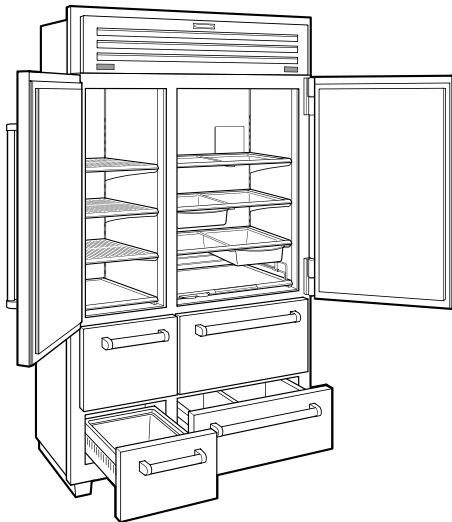


PLUMBING



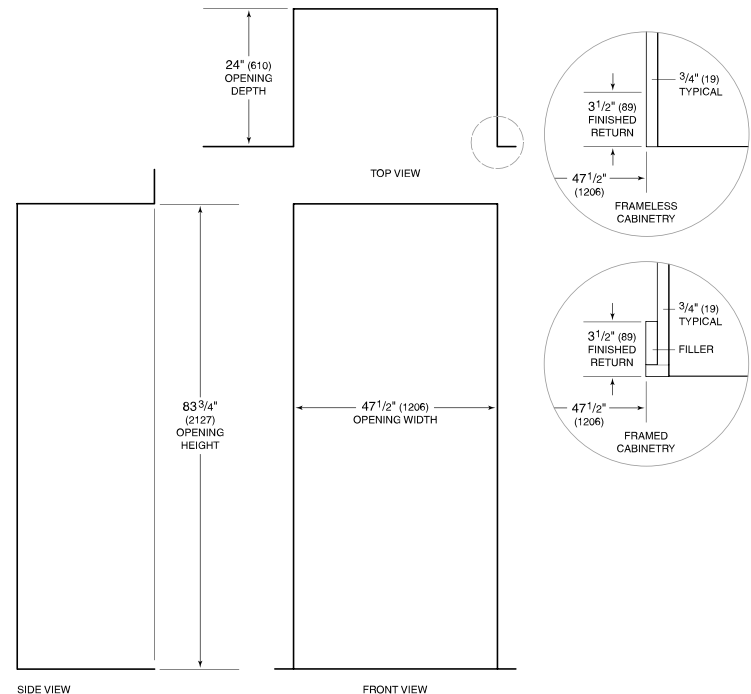
NOTE: Dimensions in parenthesis are in millimeters unless otherwise specified

INTERIOR-VIEW



This illustration is intended for interior reference only and may not represent the exterior of the model being specified.

STANDARD INSTALLATION



NOTE: 3 1/2" (89) finished returns will be visible and should be finished to match cabinetry.