

**ICBCI365TF/S**

**FEATURES**

Incredible cooking control, with lightning fast high heat and very low lows

Cooktop stays relatively cool for added safety and easy cleanup

Cookware sensing guards against hot burners being left on

Efficiently transfers heat, because energy is supplied directly to the cookware

Five elements and five bridging options accommodate widest possible variety of pan sizes



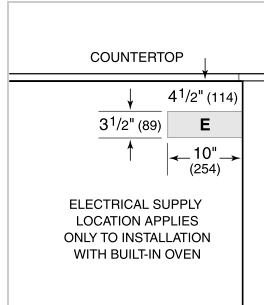
**COOKTOP SPECIFICATIONS**

- 2 - 2100 W Element
- 2 - 2100 W Element with 3000 W Boost
- 1 - 2600 W Element with 3700 W Boost

**PRODUCT SPECIFICATIONS**

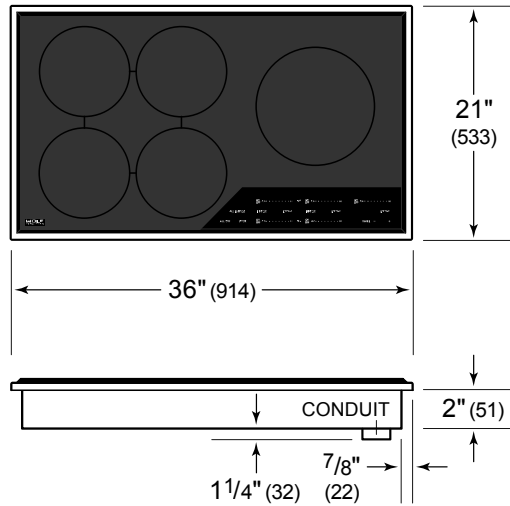
Model	ICBCI365TF/S
Dimensions	914mmW x 51mmH x 533mmD
Weight	30 kg
Electrical Supply	220-240 VAC; 50/60 Hz
Electrical Service	11.1 kW

**ELECTRICAL**

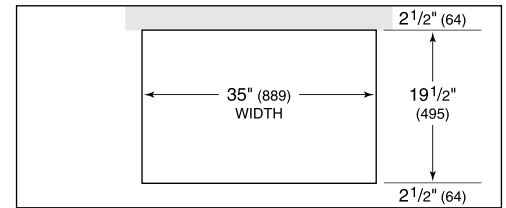


**NOTE:** Dimensions in parenthesis are in millimeters unless otherwise specified

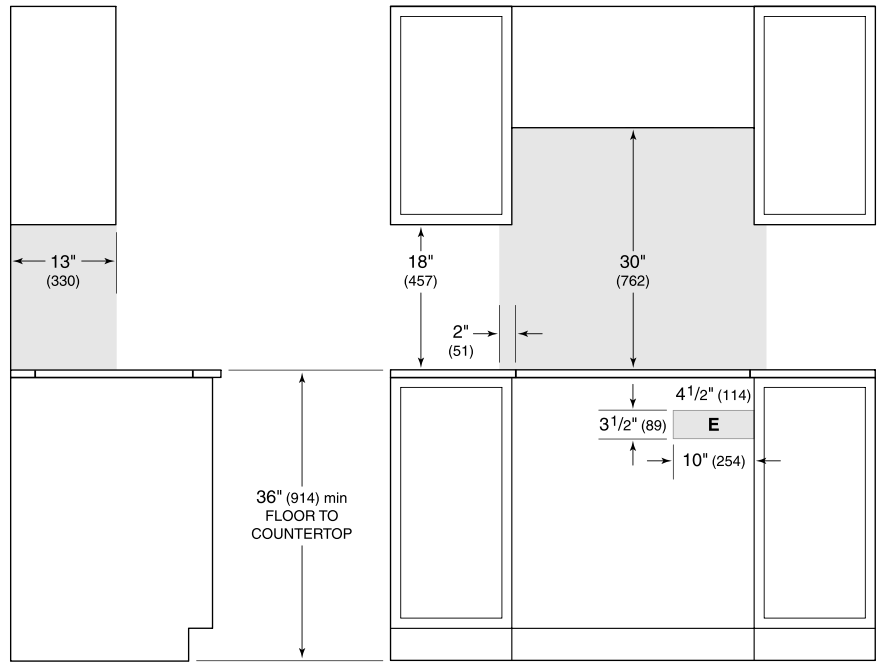
**DIMENSIONS**



**STANDARD INSTALLATION**



COUNTERTOP CUT-OUT



SIDE VIEW

FRONT VIEW

**NOTE:** Shaded area above countertop indicates minimum clearance to combustible surfaces, combustible materials cannot be located within this area. Electrical supply location only applies to installations with built-in oven.