

ICBCI365C/B

FEATURES

Incredible cooking control, with lightning fast high heat and very low lows

Cooktop stays relatively cool for added safety and easy cleanup

Cookware sensing guards against hot burners being left on

Efficiently transfers heat, because energy is supplied directly to the cookware

Can be installed flush with countertop for smooth, continuous surface

Five elements and five bridging options accommodate widest possible variety of pan sizes



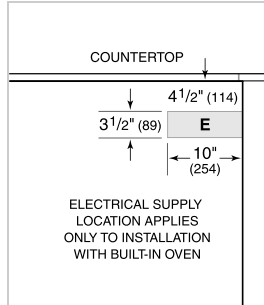
COOKTOP SPECIFICATIONS

- 2 - 2100 W Element
- 2 - 2100 W Element with 3000 W Boost
- 1 - 2600 W Element with 3700 W Boost

PRODUCT SPECIFICATIONS

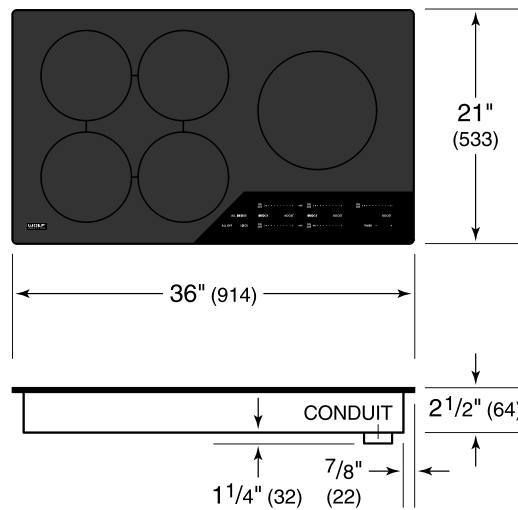
Model	ICBCI365C/B
Dimensions	914mmW x 64mmH x 533mmD
Weight	32 kg
Electrical Supply	220-240 VAC; 50/60 Hz
Electrical Service	11.1 kW

ELECTRICAL

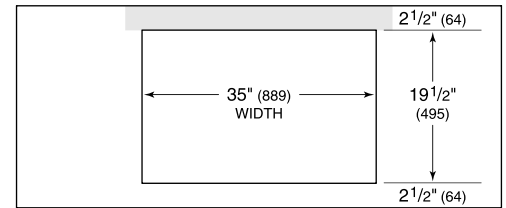


NOTE: Dimensions in parenthesis are in millimeters unless otherwise specified

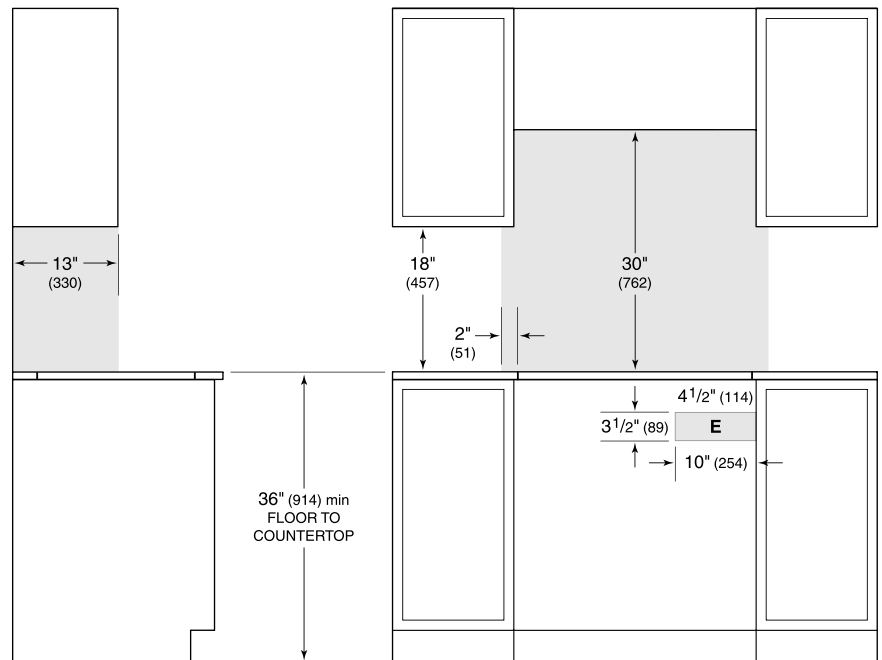
DIMENSIONS



STANDARD INSTALLATION



COUNTERTOP CUT-OUT



SIDE VIEW

FRONT VIEW

NOTE: Shaded area above countertop indicates minimum clearance to combustible surfaces, combustible materials cannot be located within this area. Electrical supply location only applies to installations with built-in oven.