



# Design Guide

# Induction Cooktops

ICB REVISED 4/2023



## Induction Cooktops

Almost instantaneous temperature response. Practically no wasted heat. Induction cooking has been popular among European chefs and homeowners for decades. Now Wolf leads the way in bringing this remarkable technology to North American kitchens. Its secret is magnetism. Electromagnetic elements cause iron and magnetic stainless cookware to heat up instantly and with perfectly distributed heat. Heat generation stops the instant you turn off the element or remove the pan. The cooktop's surface remains cool. Your kitchen stays cooler too. Transitional models have a brushed stainless steel trim. Contemporary models can be mounted flush with the countertop.

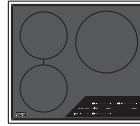
The following models have the same stainless steel frame as our module cooktops for paired installations: ICBCI243TF/S, ICBCI304TF/S, and ICBCI365TF/S.

Features and specifications are subject to change at any time without notice.

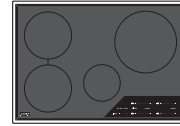
Throughout this guide, dimensions may vary by  $\pm 3$  mm.

### INDUCTION COOKTOPS

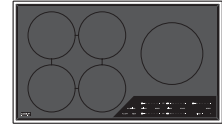
#### TRANSITIONAL



ICBCI243TF/S

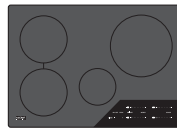


ICBCI304TF/S

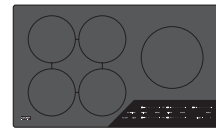


ICBCI365TF/S

#### CONTEMPORARY



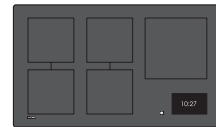
ICBCI304C/B



ICBCI365C/B



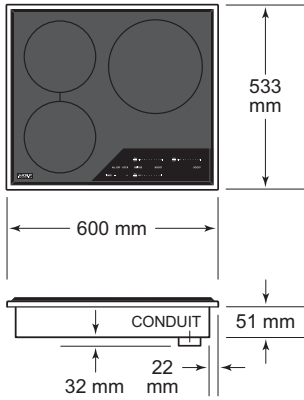
ICBCI30460C/B



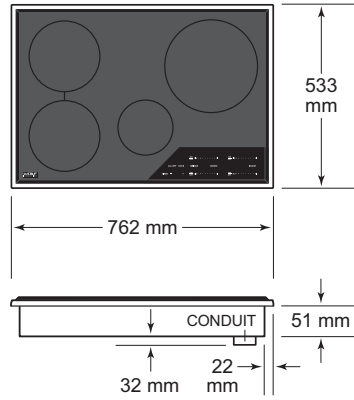
ICBCI36560C/B

## Induction Cooktops

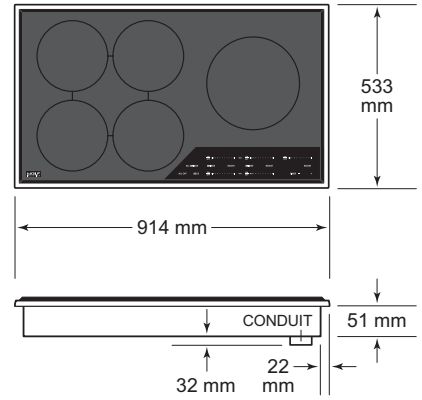
### 60 cm TRANSITIONAL



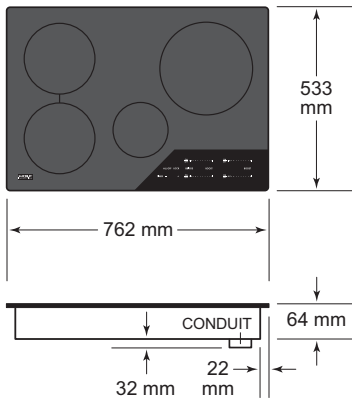
### 76 cm TRANSITIONAL



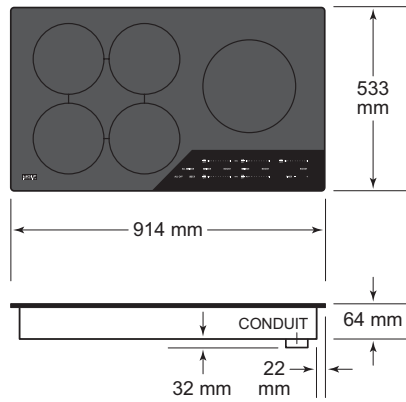
### 91 cm TRANSITIONAL



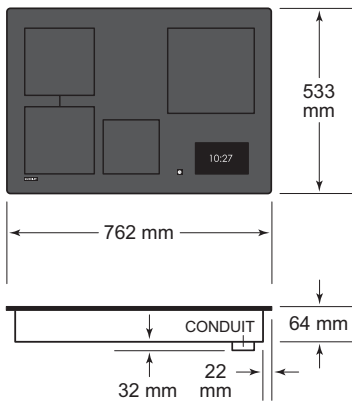
### 76 cm CONTEMPORARY



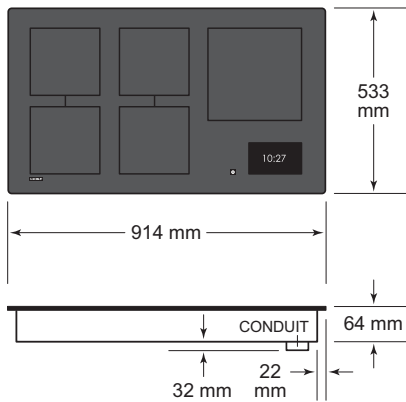
### 91 cm CONTEMPORARY



### 76 cm CONTEMPORARY



### 91 cm CONTEMPORARY



## Planning Information

A minimum height clearance of 159 mm is required from the top of the countertop to any combustible surface directly below the cooktop.

Contemporary Induction Cooktops can be mounted flush with the top of the countertop, or as a frameless standard installation sitting on top of the countertop surface. If the cooktop is to be mounted flush with the countertop, a recessed area surrounding the cooktop cutout must be provided.

**IMPORTANT NOTE:** Flush mount installations are intended for granite, solid surface, or stone countertop surfaces only.

## ELECTRICAL REQUIREMENTS

Installation must comply with all applicable electrical codes and be properly grounded (earthed).

Locate the electrical supply as shown in the illustrations on the following pages. A separate circuit servicing only this appliance is required.

Performance may be compromised if the electrical supply is less than 220 volts.

The cooktop is supplied with a single phase and 3-phase convertible power inlet box.

---

## ELECTRICAL REQUIREMENTS

### ELECTRICAL SUPPLY

Single Phase	220–240 V AC, 50/60 Hz
3-Phase	380–415 V AC, 50 Hz

---

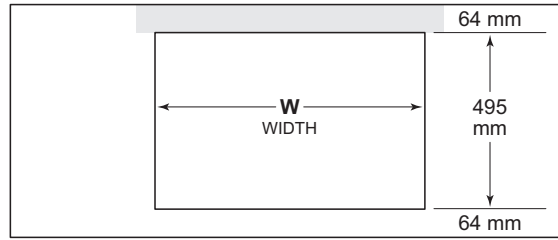
<b>TOTAL AMPS</b>	<b>SINGLE PHASE</b>	<b>3-PHASE</b>
60 cm Cooktop	32	16
76 cm Cooktop	32	16
91 cm Cooktop	48	16

---

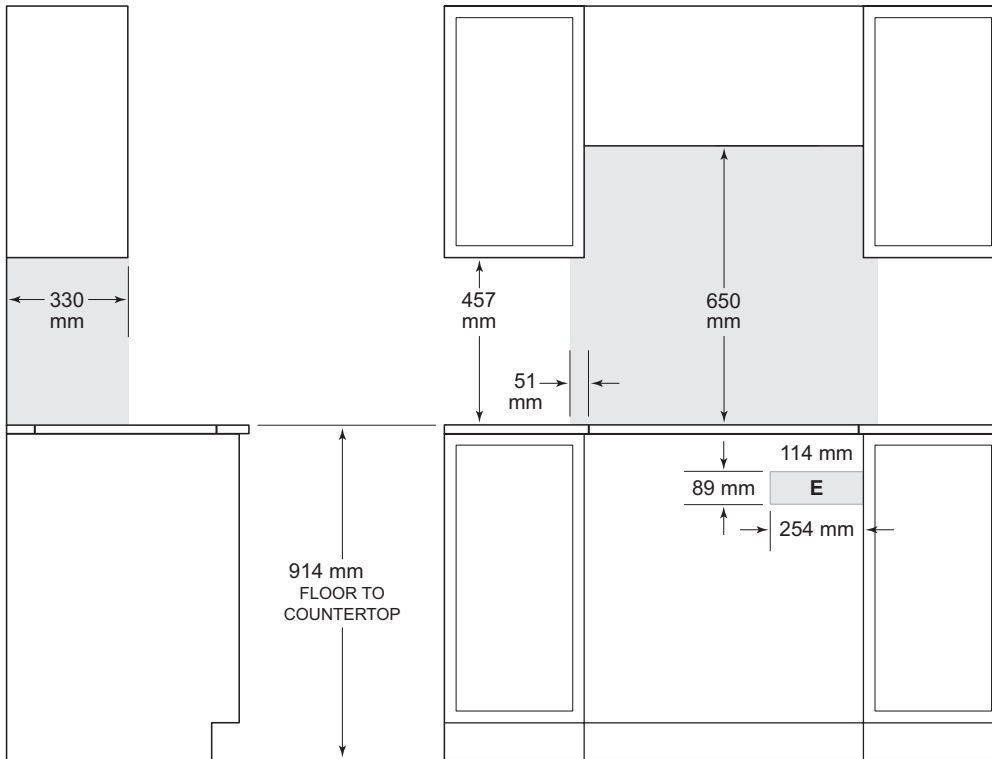
# Induction Cooktops

## 60 cm / 76 cm / 91 cm Induction Cooktop

### STANDARD INSTALLATION



COUNTERTOP CUTOUT



SIDE VIEW

FRONT VIEW

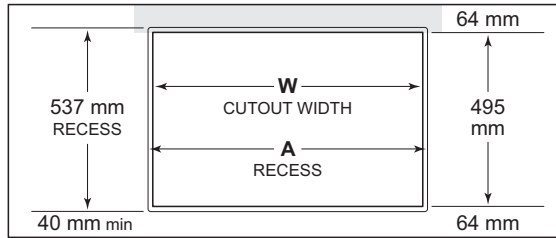
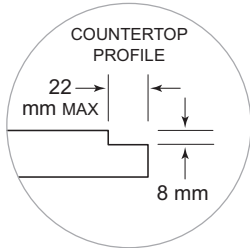
*NOTE: Shaded area above countertop indicates minimum clearance to combustible surfaces, combustible materials cannot be located within this area.  
Electrical supply location only applies to installations with built-in oven.*

CUTOUT WIDTH	W
60 cm Cooktop	562 mm
76 cm Cooktop	737 mm
91 cm Cooktop	889 mm

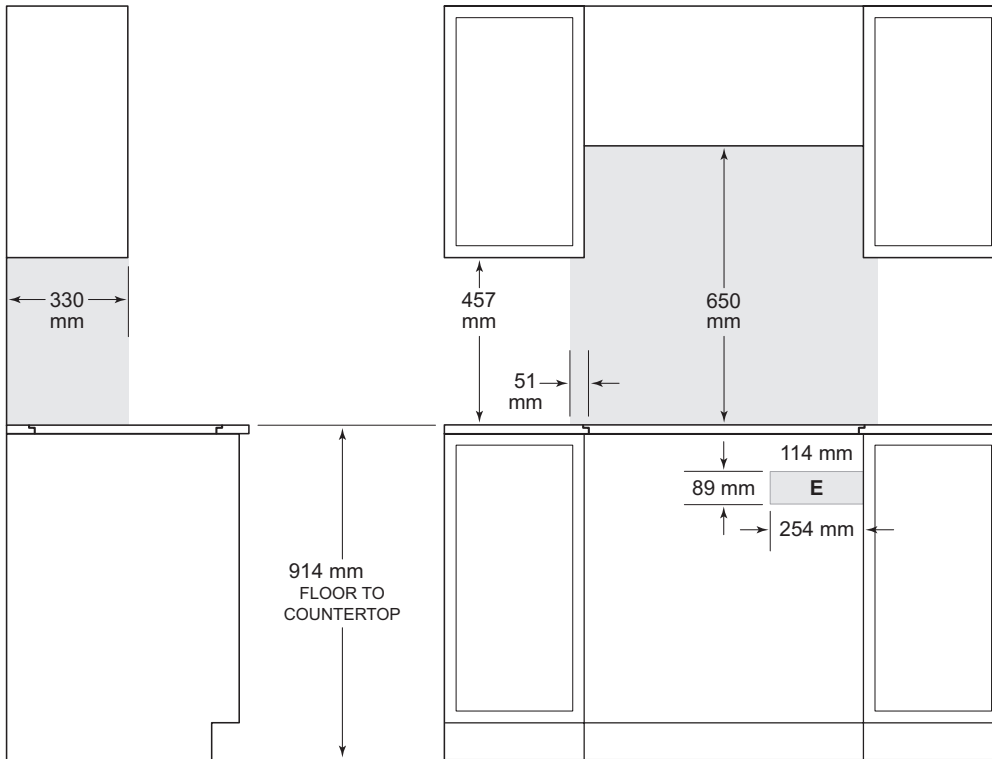
# Induction Cooktops

## 76 cm / 91 cm Induction Cooktop

### FLUSH INSTALLATION



COUNTERTOP CUTOUT



SIDE VIEW

FRONT VIEW

*NOTE: Shaded area above countertop indicates minimum clearance to combustible surfaces, combustible materials cannot be located within this area.  
Electrical supply location only applies to installations with built-in oven.  
Outside corner radius 11 mm.*

CUTOUT WIDTH	W	A
76 cm Cooktop	737 mm	765 mm
91 cm Cooktop	889 mm	918 mm

## Wolf Appliance International Limited Warranty

### FOR RESIDENTIAL USE

These Warranty Terms and Conditions ('Warranty') constitute your agreement with Sub-Zero Group Australia Pty Ltd (ACN 610 807 899) ('Wolf') and will apply to your service order. The benefits given by this Warranty are in addition to all consumer guarantees and other rights and remedies prescribed by the Australian Consumer Law and any other applicable laws.

Our products come with guarantees that cannot be excluded under the Australian Consumer Law. You are entitled to a replacement or refund for a major failure and compensation for any other reasonably foreseeable loss or damage. You are also entitled to have the goods repaired or replaced if the goods fail to be of acceptable quality and the failure does not amount to a major failure.

In addition to your rights and remedies under the Australian Consumer Law, Wolf provides customers with a Warranty where, if any part of a Wolf product is found upon inspection by an authorised Wolf representative or an associated licensed technician supplied by either Wolf or a relevant approved supplier (including a Wolf factory certified service) ('Service Representative') to be defective in materials or workmanship, Wolf will repair and replace the part as follows:

#### **FULL TWO YEAR WARRANTY\*** (\*\*Outdoor product full one year warranty)

For two years from the date of original installation, this Wolf Appliance product warranty covers all parts and labour to repair or replace, under normal residential use, any part of the product that proves to be defective in materials or workmanship. All service provided by Wolf Appliance under the above warranty must be performed by Wolf factory certified service, unless otherwise specified by Wolf Appliance, Inc. Where the Service Representative is unable to identify any fault in the product, Wolf may require the consumer to provide proof that the product is defective. For the avoidance of doubt, defective products or parts become Wolf's property. Service will be provided during normal business hours.

#### **LIMITED FIVE YEAR WARRANTY**

For five years from the date of original installation, Wolf Appliance will repair or replace the following parts that prove to be defective in materials or workmanship: gas burners (excludes appearance), electric heating elements, blower motors (ventilation hoods), electronic control boards, magnetron tubes and induction generators. If the owner uses Wolf factory certified service, the service provider will repair or replace the above listed parts at no cost with the owner paying for all other costs, including labour. If the owner uses non-certified service, the owner must contact Sub-Zero Group Australia, (using the information below) to receive repaired or replacement parts. Wolf Appliance will not reimburse the owner for parts purchased from non-certified service or other sources.

#### **TERMS APPLICABLE TO EACH WARRANTY**

The warranty applies only to products installed for normal residential use. This warranty does not cover any parts or labour to correct any defect caused by negligence, accident or improper use, maintenance, installation, service or repair.

#### **CLAIM PROCEDURE**

In order to claim the Warranty, you must cease using the product when a fault arises, contact Sub-Zero or authorised Sub-Zero dealer where the product was purchased to report the issue and follow Sub-Zero's directions regarding what to do next. Sub-Zero's general contact details are as follows:

Sub-Zero Group Australia  
11-19 Bank Place  
Melbourne VIC 3000  
Phone: 03 9600 2218 email: serviceAU@subzero.com

#### **EXCLUSIONS**

Except to the extent required by law, all consumer guarantees, representations, warranties, terms and conditions in relation to the products (whether implied or otherwise) are hereby excluded to the maximum extent permitted by law.

To the fullest extent permitted by law, Wolf excludes all liability for damage or injury to any person, damage to any property and any indirect consequential or other loss or damage.

\*Stainless steel (doors, panels, handles, product frames and interior surfaces) are covered by a limited 60-day parts and labour warranty for cosmetic defects.

\*\* Full one year warranty applies to outdoor product. Product must be approved for outdoor use, designated by model and serial number.



