



# Design Guide

# Wine Storage

ICB REVISED 5/2022



## Wine Storage

Wine finds a well-deserved place of honor in a Sub-Zero wine storage unit. Every detail is designed to ensure better wine preservation. Cherrywood-faced racks, soft lighting, custom cabinetry if desired—Sub-Zero helps make a wine collection an element of beauty in the home.

Features and specifications are subject to change at any time without notice.

Throughout this guide, dimensions may vary by  $\pm 3$  mm.

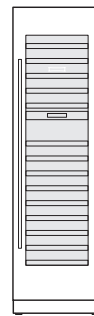
### WINE STORAGE MODELS



ICBDEU2450W



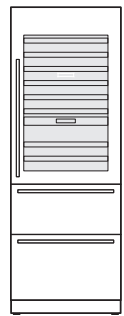
ICBDEC1850W



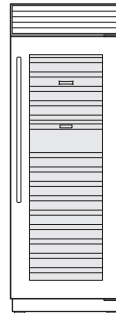
ICBDEC2450W



ICBDEC3050W



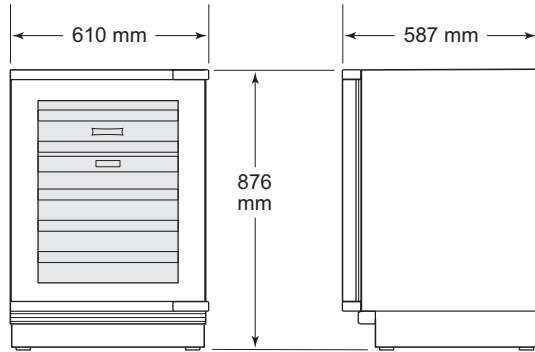
ICBDET3050WR



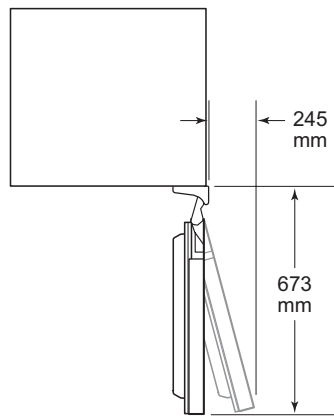
ICBCL3050W

## Overall Dimensions

### MODEL ICBDEU2450W



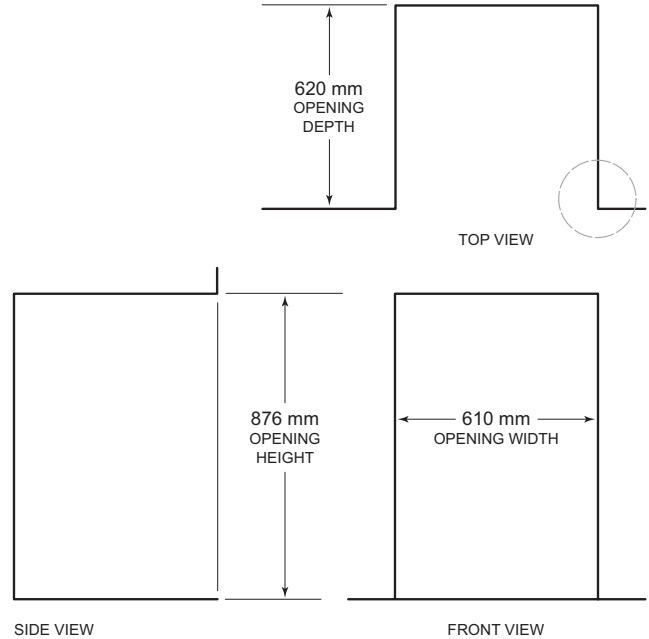
HEIGHT DIMENSIONS ± 13 mm



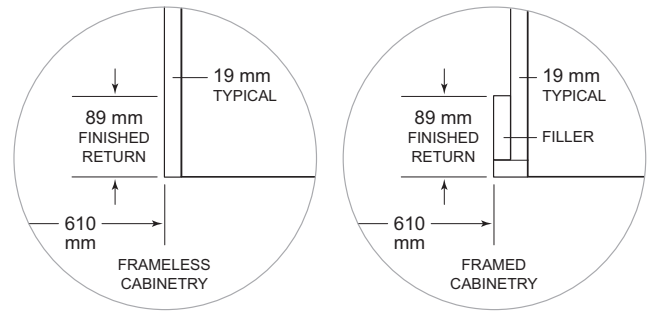
**IMPORTANT NOTE:** Overall dimensions do not include panels or handles. Dimensions will vary with panel thickness.

## Opening Dimensions

### MODEL ICBDEU2450W



*NOTE: 89 mm finished returns will be visible and should be finished to match cabinetry.*



### DUAL OPENING WIDTH

**W**

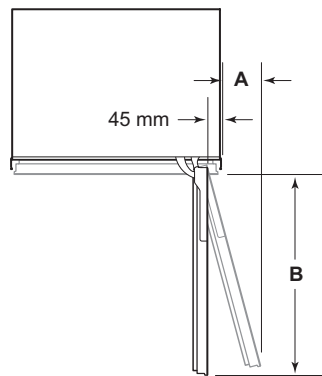
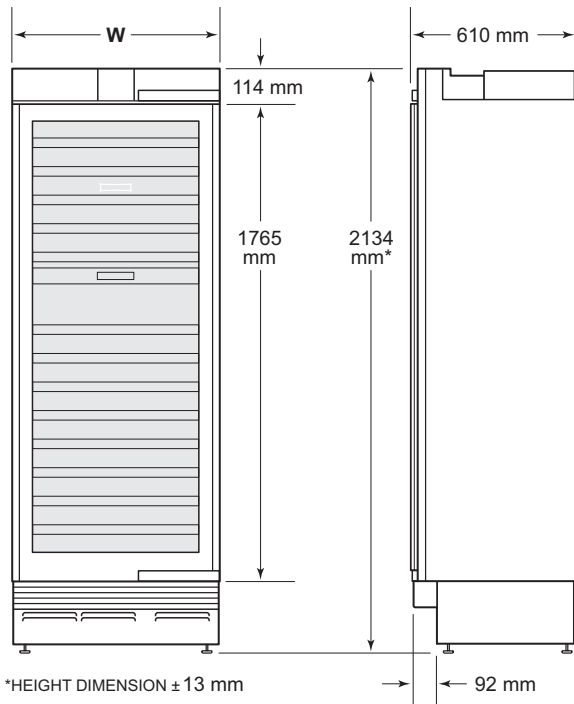
Two 610 mm Models

1222 mm

*Dual installation kit required.*

## Overall Dimensions

### COLUMN WINE



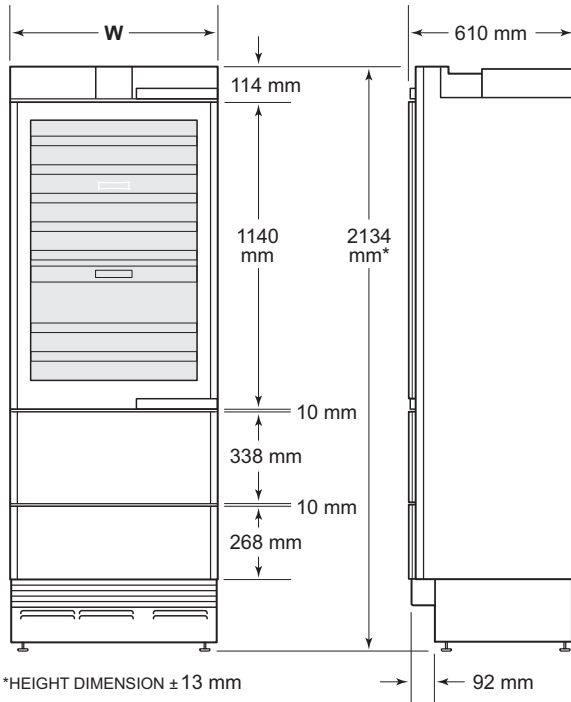
### COLUMN

	W	A	B
ICBDEC1850W	457 mm	64 mm	419 mm
ICBDEC2450W	610 mm	102 mm	572 mm
ICBDEC3050W	762 mm	143 mm	724 mm

**IMPORTANT NOTE:** Overall dimensions do not include panels or handles. Dimensions will vary with panel thickness.

## Overall Dimensions

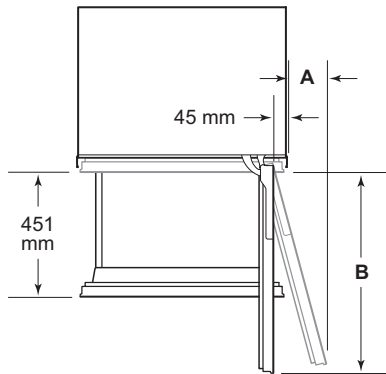
### TALL WINE



### TALL

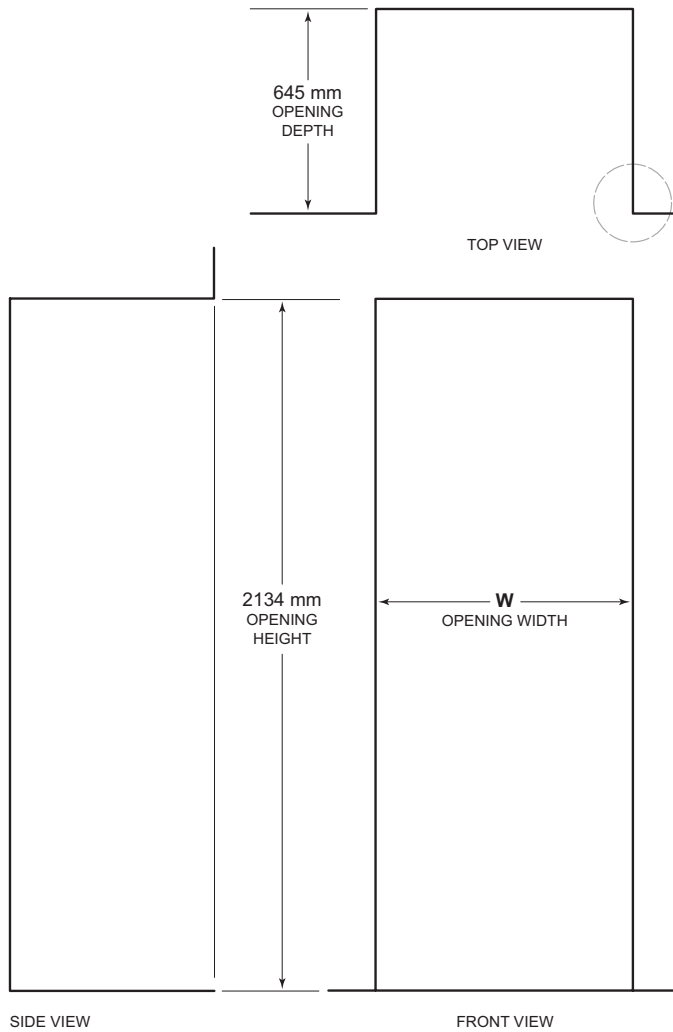
	W	A	B
ICBDET3050WR	762 mm	143 mm	724 mm

**IMPORTANT NOTE:** Overall dimensions do not include panels or handles. Dimensions will vary with panel thickness.



## Opening Dimensions

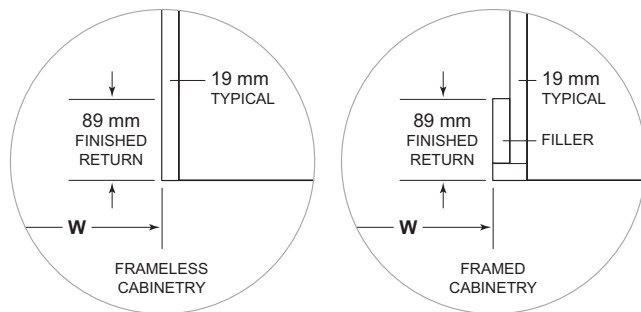
### DESIGNER SERIES WINE STORAGE



SIDE VIEW

FRONT VIEW

NOTE: 89 mm finished returns will be visible and should be finished to match cabinetry.



### OPENING DIMENSIONS

COLUMN	W*
ICBDEC1850W	457 mm
ICBDEC2450W	610 mm
ICBDEC3050W	762 mm
TALL	W*
ICBDET3050WR	762 mm

\*For stainless steel side panel accessory, add 25 mm per panel to opening width.

The depth of each model is 610 mm. Allow for panel thickness when planning the finished opening depth. A minimum 89 mm finished return is required on all sides of the opening. Framed cabinets will require additional finished filler material behind the face frame for a proper installation. Refer to the illustration.

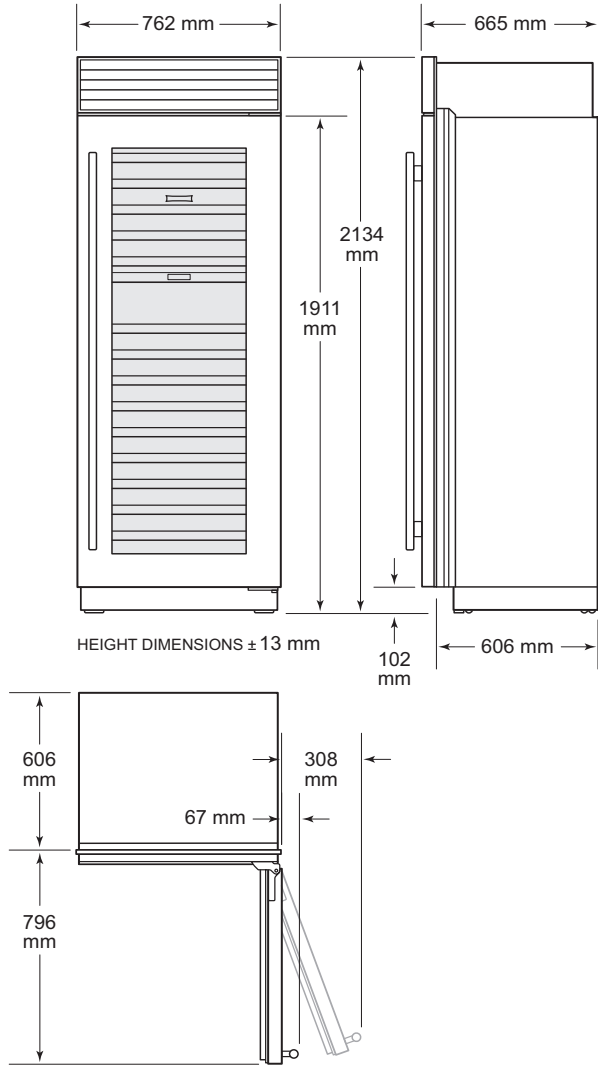
### DUAL INSTALLATION

The unit can be installed next to a Designer Series refrigeration model or another Designer Series wine storage model in a dual installation. When installing two units side by side, the opening width is the width of the two units added together. A dual installation kit will be required for this installation. If a dual installation kit is not specified, a minimum 51 mm filler strip is required between the units.

Dual installation kits are available through an authorized Sub-Zero dealer. For questions regarding the installation, contact your authorized Sub-Zero dealer.

## Overall Dimensions

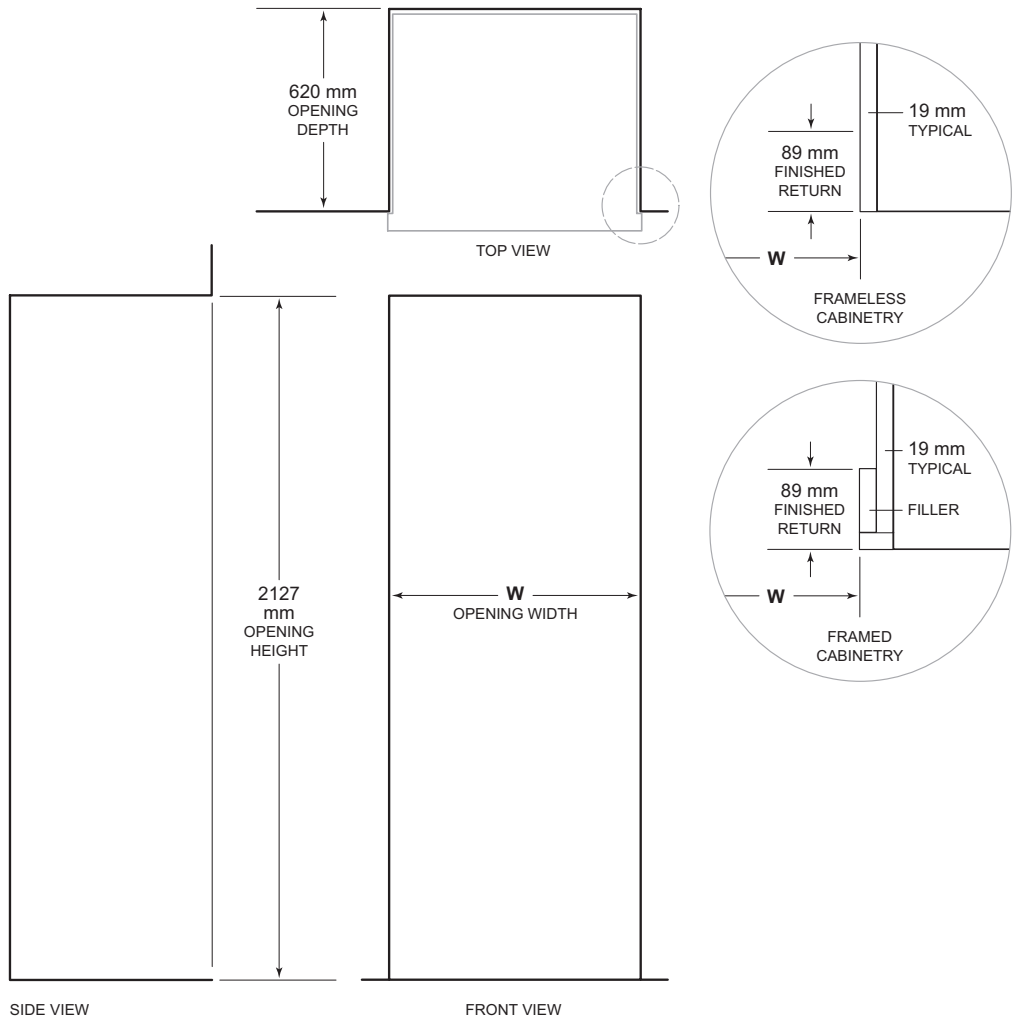
### MODEL ICBCL3050W



Dimensions are based on the stainless steel model. For flush inset applications, add 13 mm to the door clearance dimensions.

## Opening Dimensions

### ICBCL3050W STANDARD INSTALLATION



NOTE: 89 mm finished returns will be visible and should be finished to match cabinetry. Shaded line represents profile of unit.

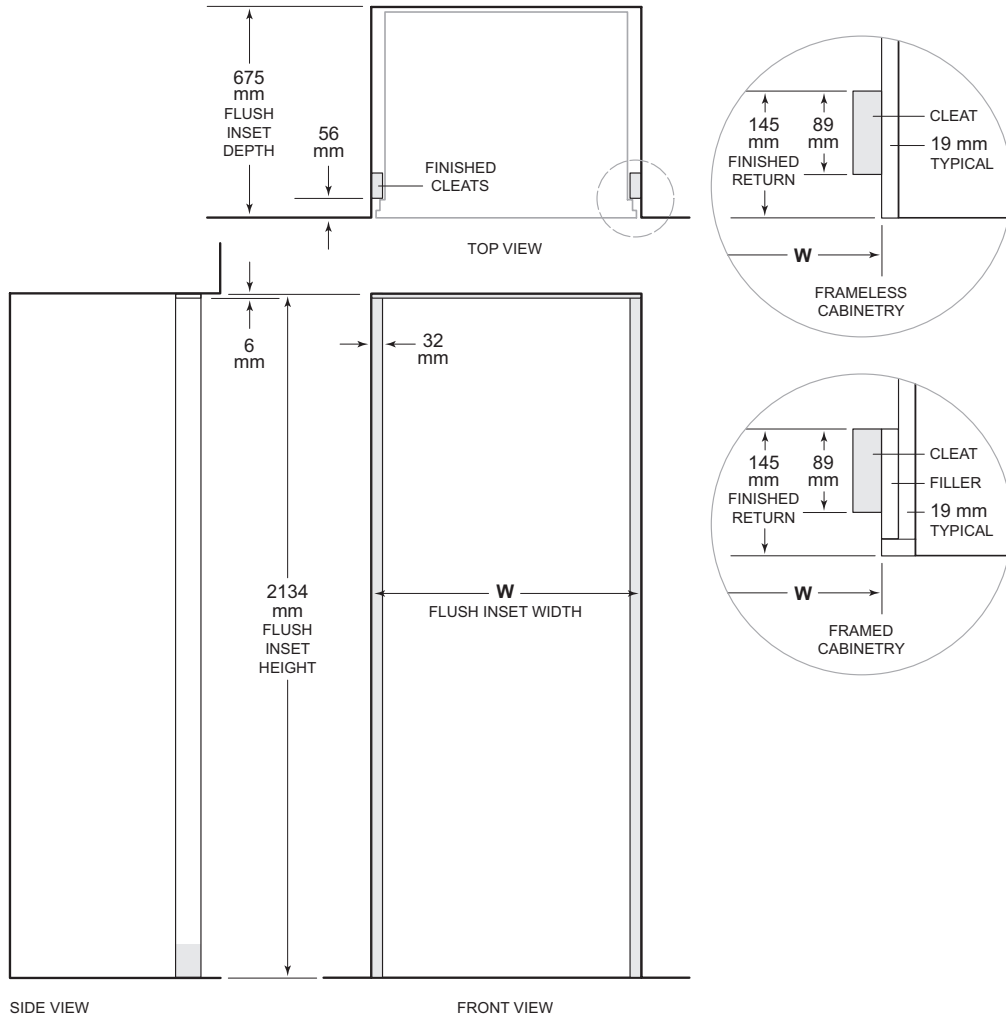
OPENING WIDTH	W
ICBCL3050W	749 mm

If two units are installed side by side, refer to page 10 for dual standard installations.



## Opening Dimensions

### ICBCL3050W FLUSH INSET INSTALLATION



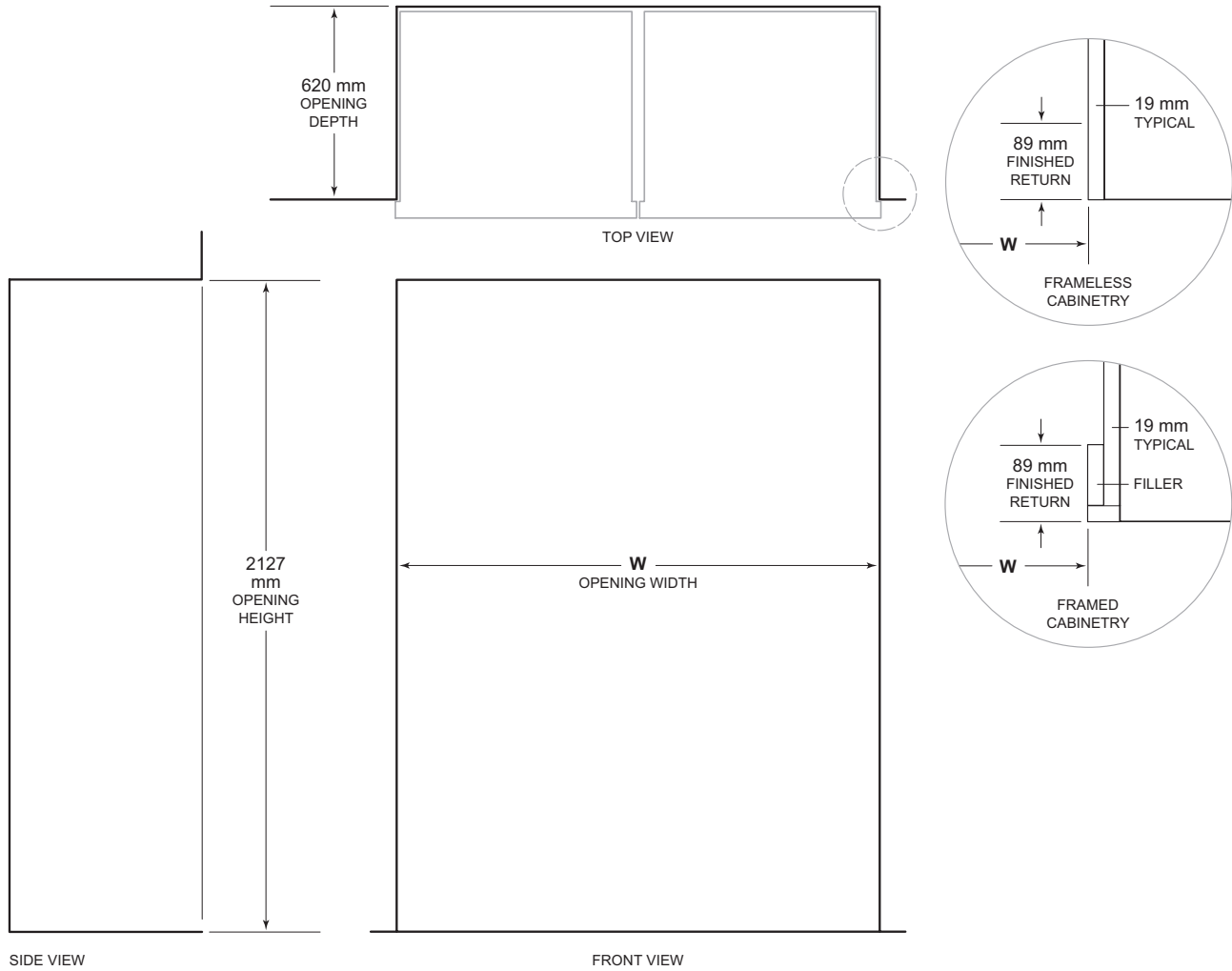
NOTE: 89 mm finished returns and shaded areas will be visible and should be finished to match cabinetry. Shaded line represents profile of unit with 19 mm panel.

FLUSH INSET WIDTH	W
ICBCL3050W	813 mm

Flush inset is available for overlay models only. Dimensions assume a 19 mm panel thickness.

## Opening Dimensions

### ICBCL3050W DUAL STANDARD INSTALLATION



NOTE: 89 mm finished returns will be visible and should be finished to match cabinetry.  
Shaded line represents profile of unit.

#### DUAL STANDARD OPENING WIDTH

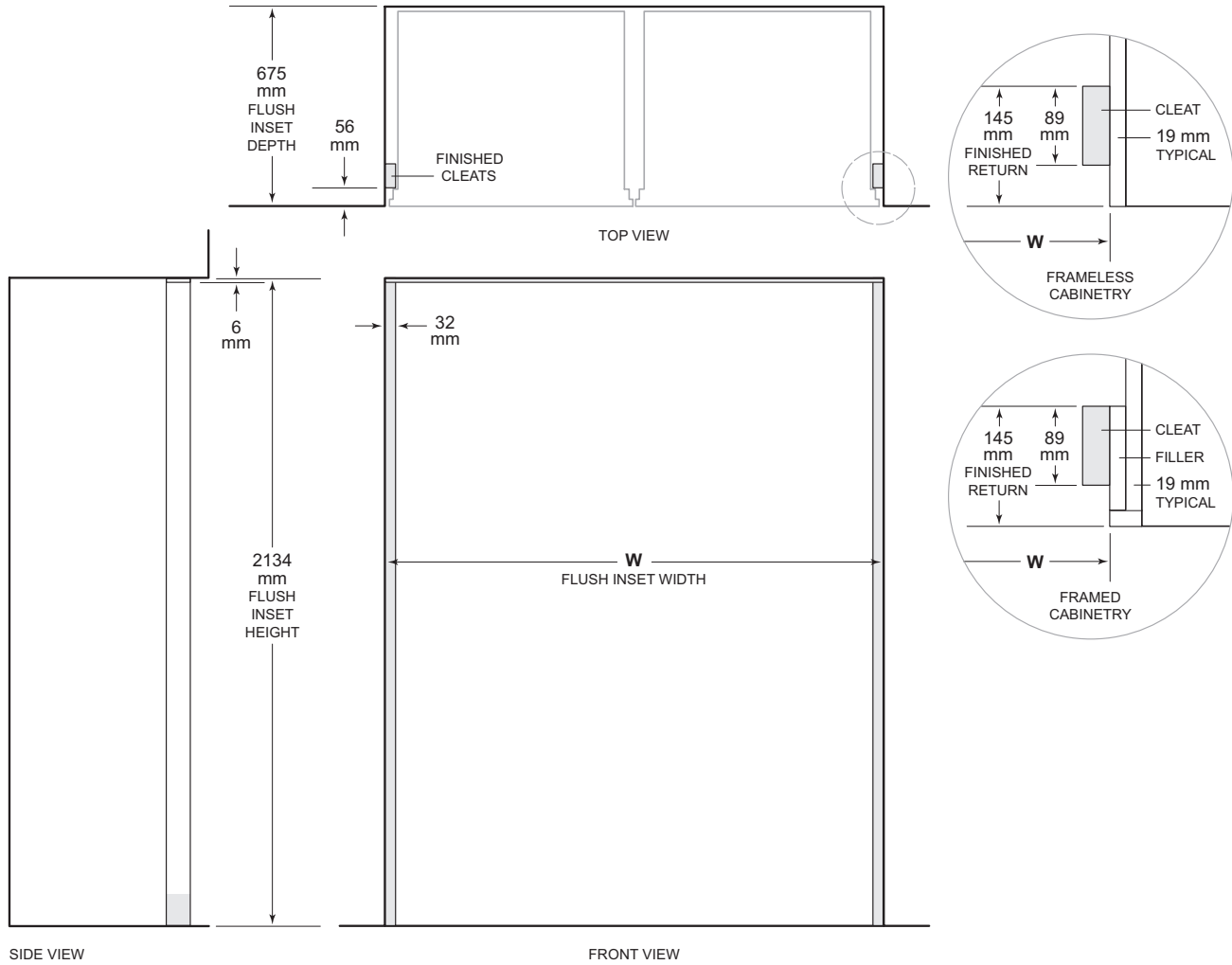
W

A dual installation kit is required for this installation.

Two Models ICBCL3050W	1518 mm
Model ICBCL3050W and 914 mm Classic Series model	1670 mm

## Opening Dimensions

### ICBCL3050W DUAL FLUSH INSET INSTALLATION



NOTE: 89 mm finished returns and shaded areas will be visible and should be finished to match cabinetry. Shaded line represents profile of unit with 19 mm panel.

#### FLUSH INSET WIDTH

W

Two models ICBCL3050W	1581 mm
ICBCL3050W and 914 mm Classic Series model	1734 mm

Dimensions assume a 19 mm panel thickness. A dual installation kit will be required for this installation.

## Electrical Requirements

Locate the electrical supply within the shaded area shown in the illustration for your specific model. For Designer Series models, also refer to the chart. A separate circuit servicing only this appliance is required. A ground fault circuit interrupter (GFCI) is not recommended and may cause interruption of operation.

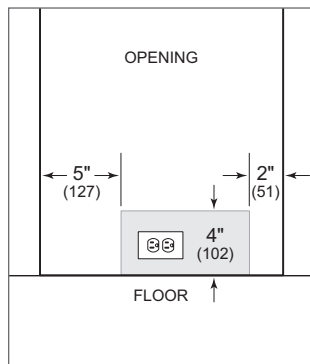
If the unit will be connected to a home security system, allow 36" (914) of excess wiring for proper connection.

**IMPORTANT NOTE:** For Undercounter and Designer Series models, the electrical outlet must be positioned with the grounding prong to the right of the thinner blades.

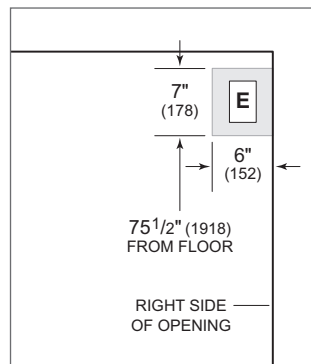
Installation must comply with all applicable electrical codes.

### ELECTRICAL REQUIREMENTS

Electrical Supply	115 VAC, 60 Hz
Service	15 amp dedicated circuit
Receptacle	3-prong grounding-type



Undercounter Wine



Model CL3050W

### ⚠ CAUTION

The outlet must be checked by a qualified electrician to be sure it is wired with the correct polarity. Verify the outlet is properly grounded.

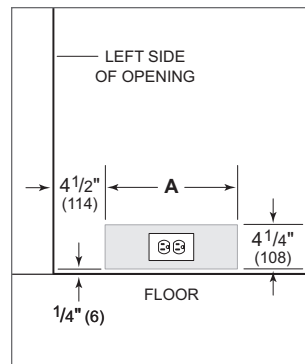
### ⚠ WARNING

Do not use an extension cord, two-prong adapter, or remove the power cord ground prong.

### ELECTRICAL LOCATION—DESIGNER SERIES

A

18" Model	6" (152)
24" Model	9 1/2" (241)
30" Model	12 1/2" (318)



Designer Series models

## Electrical Requirements

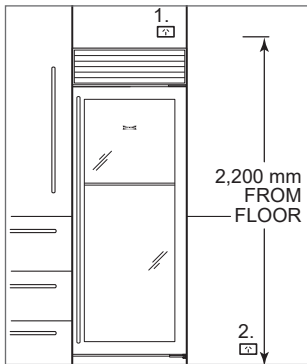
Installation must comply with all applicable electrical codes and be properly grounded (earthed).

International models from the factory require a 220-240 V AC, 50/60 Hz electrical supply, fused at the correct rating for the unit.

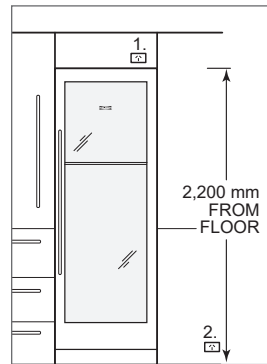
The electrical supply should be positioned in an accessible location either in a cabinet above the refrigerator, a MINIMUM OF 2200MM ABOVE THE FLOOR, or in an adjacent cabinet.

### ELECTRICAL REQUIREMENTS

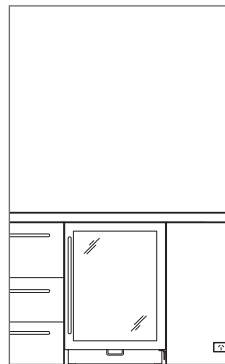
Power Supply	220-240 V AC, 50/60 Hz
Circuit Breaker	10 amp
Receptacle	grounding-type (earthed)



Classic Series Model  
Alternative location of power and water supply depending on ease of access.



Designer Series Models  
Alternative location of power and water supply depending on ease of access.



Under Bench Model  
Location of power.

## Custom Panels

For all models excluding stainless steel, door panels and handles must be provided. Refer to the panel requirements and custom panel dimensions charts for your specific model and design application.

Do not install a solid panel on a glass door unit. A solid door is available as a sales accessory (except model ICBCL3050W) and must be installed if a solid panel is specified. Service may be required to install the door. Contact an authorized Sub-Zero dealer for more information. Overall dimensions are the same for glass and solid door panels.

Finish all sides of the custom panels. They may be visible when the door is open or through the window of a glass door model.

A D-style handle is recommended. Locate the door handle near the edge of the panel opposite the hinge and centered top to bottom. Stainless steel tubular and pro handles are available through an authorized Sub-Zero dealer.

### CAUTION

**As reveals between cabinetry and the unit decrease, severe finger pinching can occur while the door is closing.**

## Custom Panel—ICBDEU2450W

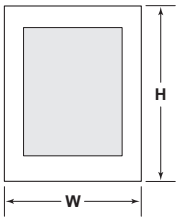
For model ICBDEU2450W, the custom door panel will attach directly to the door frame with screws through a series of pre-drilled holes. Refer to the following charts for panel requirements and dimensions.

The panel cannot exceed the maximum panel weight indicated in the chart below. The depth of each model is 587 mm. Allow for panel thickness when planning the finished opening depth.

### PANEL REQUIREMENTS

Panel Weight	10 kg max
Panel Thickness	16 mm min – 19 mm max

### TYPICAL PANEL DIMENSIONS



### PANEL DIMENSIONS

MODEL	W	H
ICBDEU2450W	604 mm	772 mm

STILES / RAILS	MIN
Stiles	83 mm
Top Rail	89 mm
Bottom Rail	114 mm

### DUAL INSTALLATION

For dual installations, refer to the chart below for typical panel dimensions.

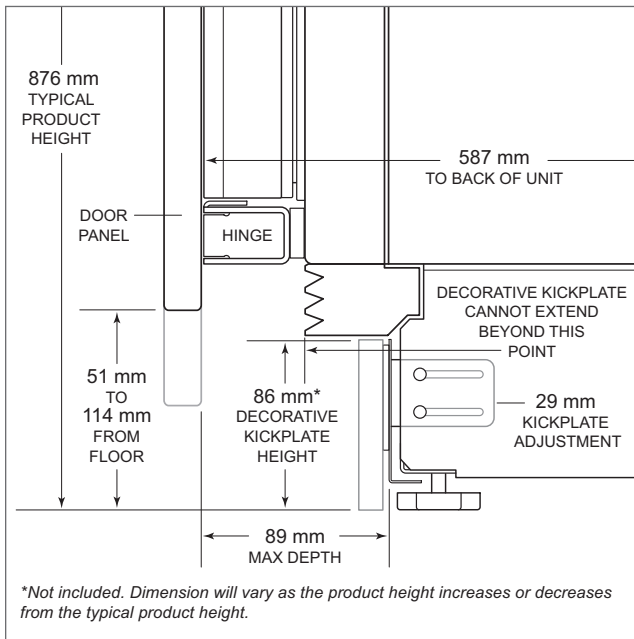
### PANEL DIMENSIONS—DUAL INSTALLATION

MODEL	W	H
ICBDEU2450W	605.5 mm	772 mm

## Custom Panel—ICBDEU2450W

### TOE KICK CLEARANCE

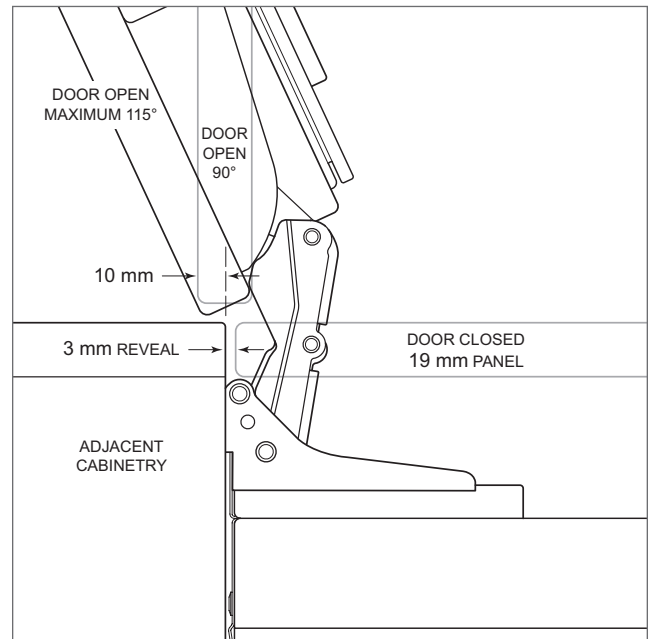
The height of the toe kick area can extend beyond the typical toe kick height, provided it does not exceed the dimensions in the illustration below.



Toe kick clearance (side view)

### MAXIMUM DOOR OPENING

As the panel width and/or depth increases, so does the potential for panel interference. Interference may be minimized by using the 90° door stop.



Maximum door opening (top view)



## Custom Panels—Designer Series

For Designer Series models, custom door panels and handle hardware must be provided. Refer to the panel requirements chart and typical panel dimensions.

Do not install a solid panel on the glass door unit. A solid door is available as a sales accessory through an authorized Sub-Zero dealer.

The thickness of the custom panel can vary. A minimum 16 mm thick panel is required, but the thickness can be increased provided it does not exceed the weight limit. The depth of each Designer Series model is 610 mm. Allow for panel thickness when planning the finished opening depth. Refer to the full-scale template on page 19.

### **▲ CAUTION**

**As reveals between cabinetry and the unit decrease, severe finger pinching can occur while the door is closing.**

Finish all sides of the custom panels. They will be visible when the door/drawer is open.

D-style handles are recommended. Door handles must be located near the edge of the panel opposite the hinge and should be centered top to bottom. Drawer handles must be located near the top edge of each panel. Stainless steel tubular and pro handles are available through an authorized Sub-Zero dealer.

### **PANEL REQUIREMENTS**

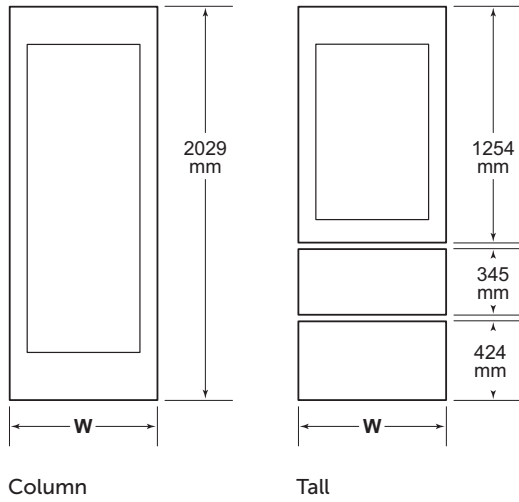
<b>PANEL WEIGHT</b>	<b>MAX</b>
Door Frame (column)	16 kg
Door Frame (tall)	11 kg
Drawer Panel	7 kg

---

<b>PANEL THICKNESS</b>	<b>MIN</b>
All Panels	16 mm

## Custom Panels—Designer Series

### TYPICAL PANEL DIMENSIONS



Typical panel dimensions are based on a 2134 mm finished height with a 102 mm toe kick and 3 mm reveals. Panel dimensions must be adjusted accordingly for all other installations. Refer to the illustration for panel heights and the chart below for panel widths.

PANEL WIDTH	W
457 mm Column	451 mm
610 mm Column	604 mm
762 mm Column	756 mm
762 mm Tall	756 mm

STILES / RAILS	MIN
Stiles	83 mm
Top Rail	197 mm
Bottom Rail (column)	241 mm
Bottom Rail (tall)	114 mm

### DUAL INSTALLATION

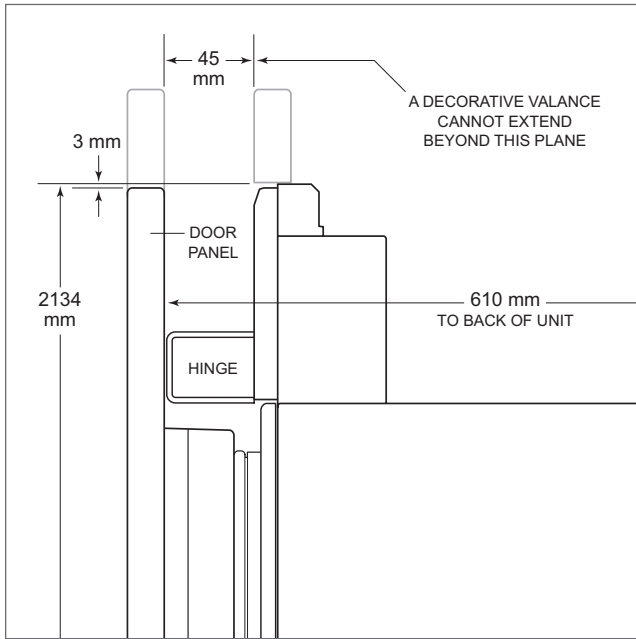
For dual installations, refer to the illustration for panel height and the chart below for panel width.

PANEL WIDTH—DUAL INSTALLATION	W
457 mm Column	452.5 mm
610 mm Column	605.5 mm
762 mm Column	757.5 mm
762 mm Tall	757.5mm

## Custom Panels—Designer Series

### DOOR PANEL HEIGHT

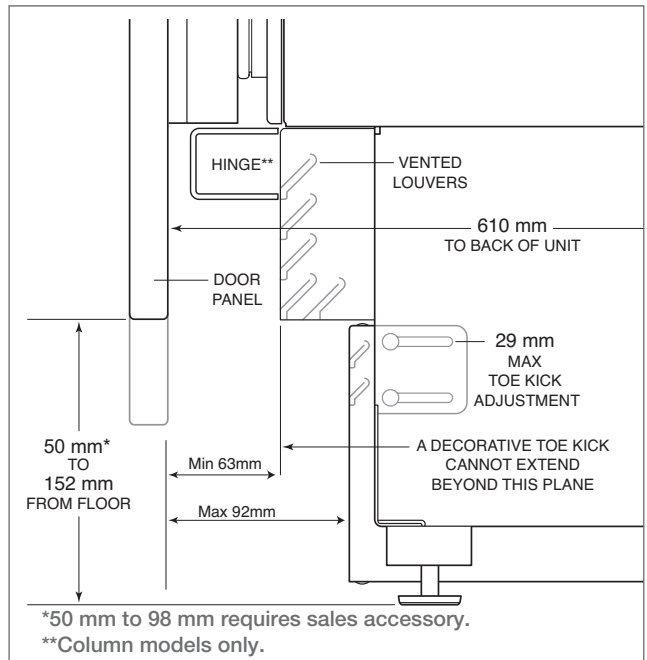
The height of the custom door panel can extend beyond the typical panel height, provided it does not exceed the weight limit. Refer to the illustration below.



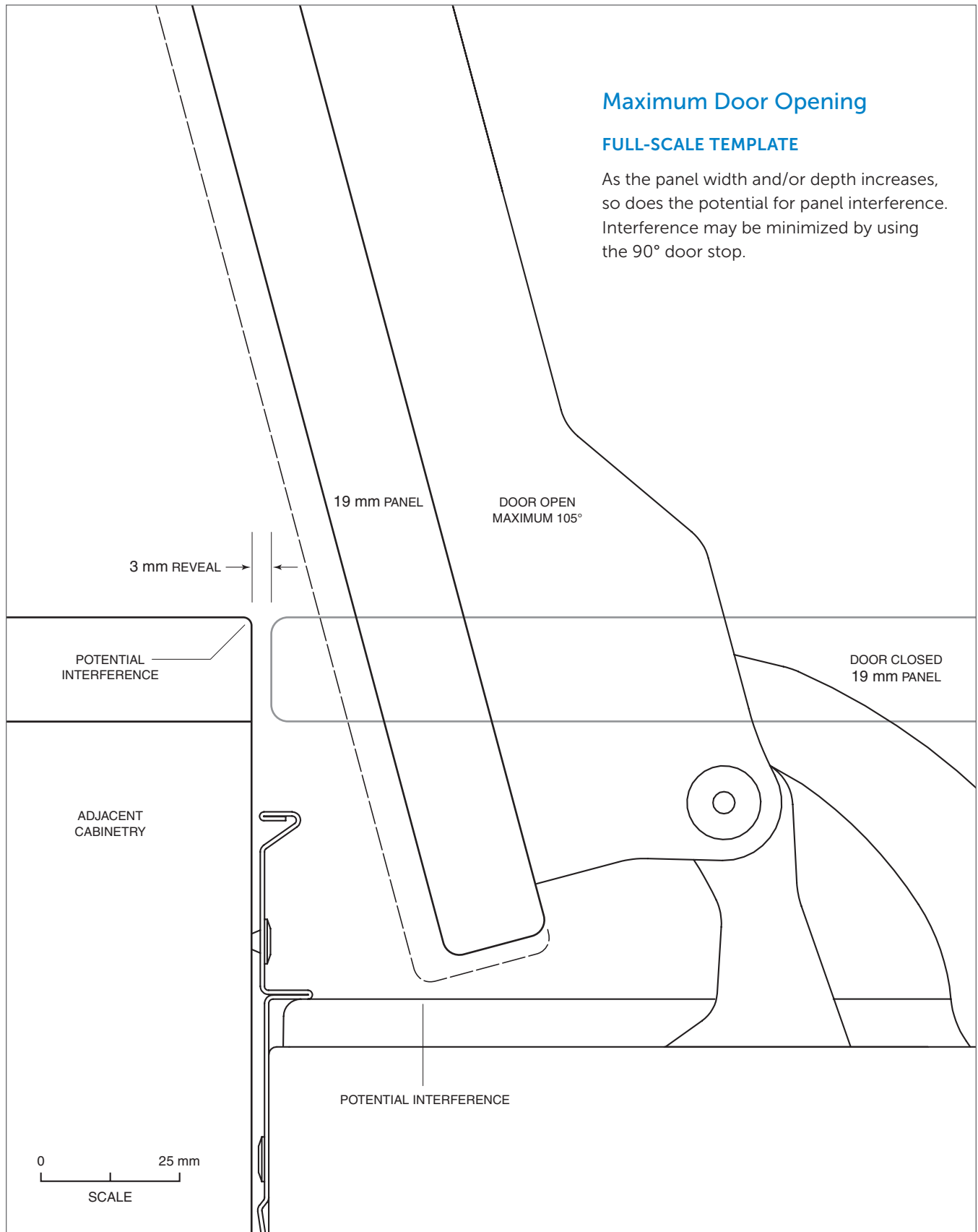
Upper valance—column and tall (side view)

### TOE KICK CLEARANCE

The height of the toe kick area can extend beyond the typical toe kick height, provided it does not exceed the dimensions in the illustration below. Toe kick heights from 50 mm to 98 mm require a reduced toe kick accessory available through an authorized Sub-Zero dealer.



Toe kick (side view)



Maximum door opening (top view)

## Custom Panel—CL3050W

For model CL3050W excluding stainless steel, a door panel and handle must be provided. Do not install a solid panel on a glass door unit.

Finish all sides of the custom panels. They may be visible when the door is open or through the window of glass door models.

A D-style handle is recommended. Locate the door handle near the edge of the panel opposite the hinge and centered top to bottom. Stainless steel tubular and pro handles are available through an authorized Sub-Zero dealer. For local dealer information, visit the find a showroom section of our website, subzero.com.

### OVERLAY

Overlay panels are typically created by combining a  $\frac{3}{4}$ " (19) custom panel, a .10" (3) spacer panel, and a  $\frac{1}{4}$ " (6) backer panel. Refer to the illustrations below.

When installing two units side by side, refer to page 64 for dual standard installations.

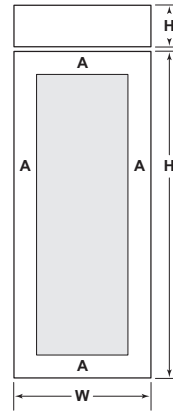
### PANEL REQUIREMENTS

WEIGHT PER PANEL	MAX
Door	75 lb (34 kg)
Grille	13 lb (6 kg)

PANEL THICKNESS	MIN
Overlay	$\frac{5}{8}$ " (16)

### OVERLAY PANEL DIMENSIONS



CL3050W

### OVERLAY PANELS

DOOR	W	H
Overlay Panel	30" (762)	71 $\frac{1}{4}$ " (1810)
Spacer Panel	29 $\frac{1}{8}$ " (740)	70 $\frac{7}{16}$ " (1789)
Backer Panel	29 $\frac{3}{4}$ " (756)	71 $\frac{1}{16}$ " (1805)

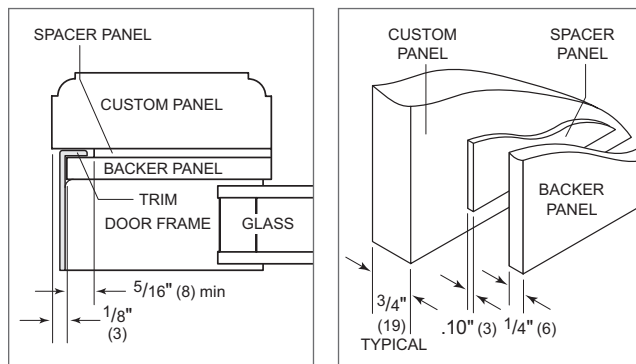
  

GRILLE	W	H
Overlay Panel	30" (762)	7 $\frac{3}{4}$ " (197)*
Spacer Panel	29 $\frac{1}{8}$ " (740)	6 $\frac{3}{16}$ " (173)
Backer Panel	29 $\frac{3}{4}$ " (756)	7 $\frac{7}{16}$ " (189)

STILES / RAILS	A
Minimum	5 $\frac{1}{4}$ " (133)

\*Panel height may be increased by  $\frac{7}{16}$ " (11) to hide upper main frame.



Panel assembly (cross section)      Panel assembly (rear view)

## Custom Panels—ICBCL3050W

### FLUSH INSET PANELS

The flush inset application is an overlay model with flush inset panels. It is not a separate model.

The flush inset design allows custom panels to be installed flush with adjacent cabinets. Similar to overlay, flush inset panels are typically created by combining a 19 mm custom panel, a 3 mm spacer panel, and a 6 mm backer panel.

For flush inset panels thicker than 19 mm, a 90° door stop may be required to prevent interference with adjacent cabinets. Refer to the full-scale template on page 27.

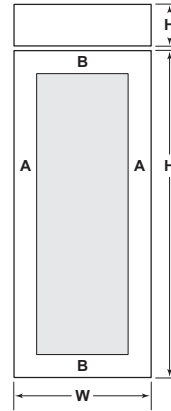
### PANEL REQUIREMENTS

PANEL WEIGHT	MAX
Door	34 kg
Grille	6 kg

PANEL THICKNESS	MIN
Flush Inset	16 mm

### FLUSH INSET PANEL DIMENSIONS



ICBCL3050W

### FLUSH INSET PANELS

DOOR	W	H
Flush Inset Panel	787 mm	1810 mm
Spacer Panel	740 mm	1789 mm
Backer Panel	756 mm	1805 mm

STILES / RAILS	A	B
Minimum	146 mm	133 mm

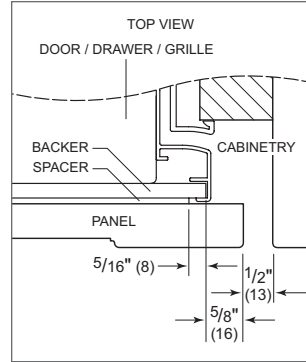
GRILLE	W	H
Flush Inset Panel	787 mm	197 mm
Spacer Panel	740 mm	173 mm
Backer Panel	756 mm	189 mm

## Custom Panel—CL3050W

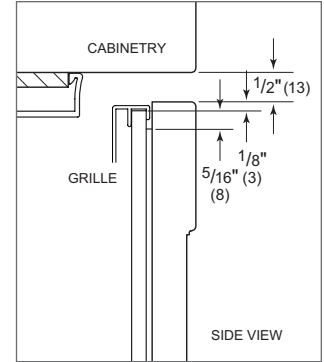
### FLUSH INSET PANEL OFFSET

The illustrations provide panel offsets and reveals for model CL3050W in a flush inset application. Refer to the chart below for reference to the illustrations.

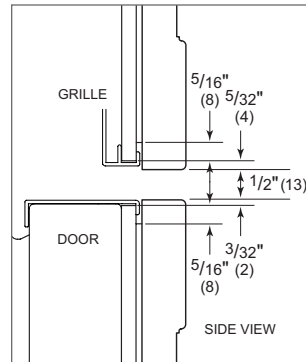
PANEL OFFSET	ILLUS
Door / Grille Sides	A
Grille Top	B
Grille Bottom / Door Top	C
Door Bottom	D



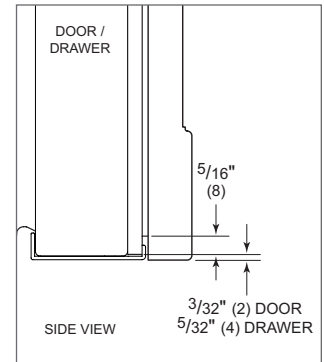
Illus. A



Illus. B



Illus. C



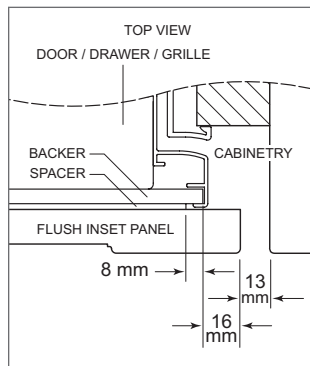
Illus. D

## Custom Panels—ICBCL3050W

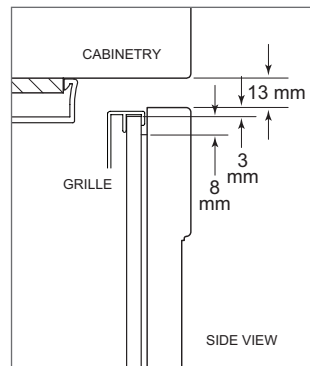
### FLUSH INSET PANEL OFFSET

The illustrations provide panel offsets and reveals for model ICBCL3050W in a flush inset application. Refer to the chart below for reference to the illustrations.

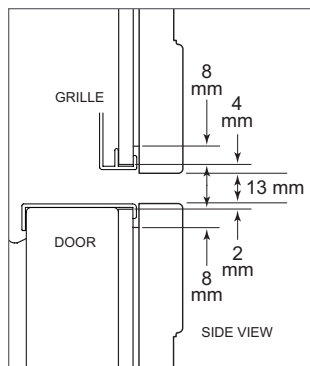
PANEL OFFSET	ILLUS
Door / Grille Sides	A
Grille Top	B
Grille Bottom / Door Top	C
Door Bottom	D



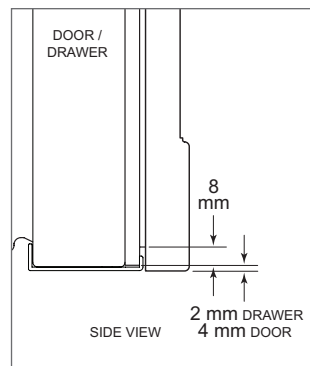
Illus. A



Illus. B



Illus. C



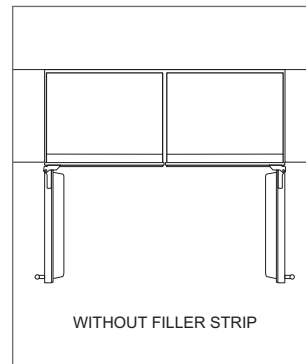
Illus. D

### DUAL INSTALLATIONS

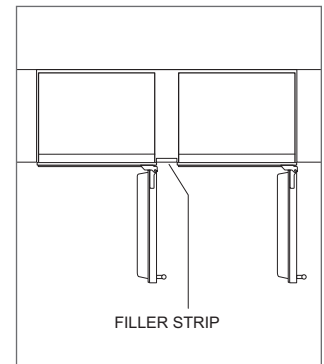
A dual installation kit may be required if two models ICBCL3050W or a model ICBCL3050W and a Classic Series unit are installed side by side. Installations without a custom filler strip require a dual installation kit. If a dual installation kit is not specified, a 51 mm filler strip is recommended between the units. Dual installations without a filler strip can only be accomplished using two units with opposite hinges. Refer to the illustrations below.

Dual installation kits are available through an authorized Sub-Zero dealer. For questions regarding the installation, contact your authorized Sub-Zero dealer.

For dual standard installations, panel dimensions are the same as for single installations.



Opposite hinges



Same side hinges



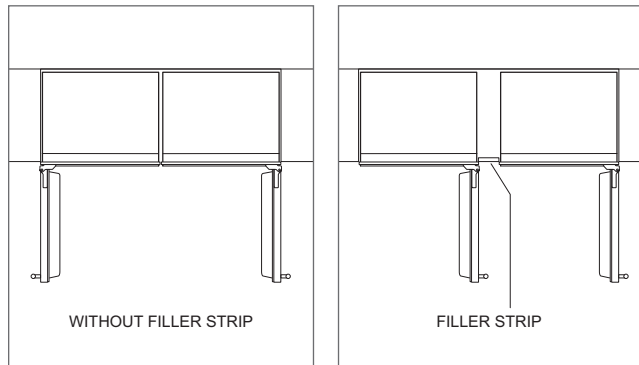
## Custom Panel—ICBCL3050W

### DUAL INSTALLATIONS

A dual installation kit may be required if two models ICBCL3050W or a model ICBCL3050W and a Classic Series unit are installed side by side. Installations without a custom filler strip require a dual installation kit. If a dual installation kit is not specified, a 51mm filler strip is recommended between the units. Dual installations without a filler strip can only be accomplished using two units with opposite hinges. Refer to the illustrations below.

Dual installation kits are available through an authorized Sub-Zero dealer.

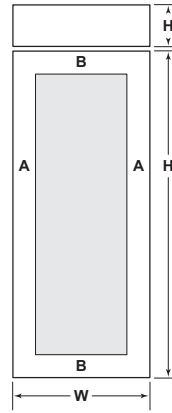
For dual standard installations, panel dimensions are the same as for single installations. Panel dimensions for dual flush inset installations are listed in the following charts.



Opposite hinges

Same side hinges

### DUAL FLUSH INSET PANEL DIMENSIONS



ICBCL3050W

### DUAL FLUSH INSET PANELS

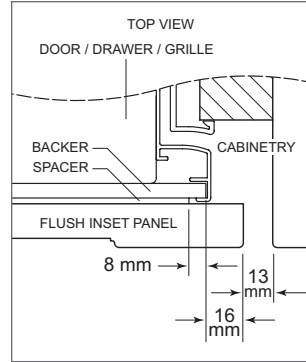
DOOR	W	H
Flush Inset Panel	775mm	1810mm
Spacer Panel	740mm	1789mm
Backer Panel	756mm	1805mm
GRILLE	W	H
Flush Inset Panel	775mm	197mm
Spacer Panel	740mm	173mm
Backer Panel	756mm	189mm
STILES / RAILS	A	B
Minimum	146mm	133mm

## Custom Panels—ICBCL3050W

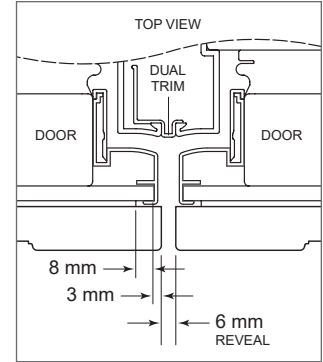
### DUAL FLUSH INSET PANEL OFFSET

The illustrations provide panel offsets and reveals for model ICBBW-30 in a dual flush inset application. Refer to the chart below for reference to the illustrations.

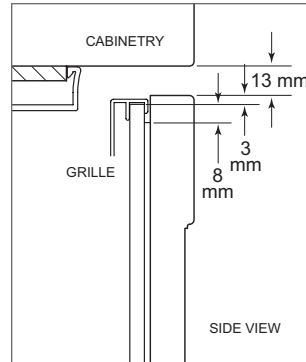
PANEL OFFSET	ILLUS
Door (hinge) / Grille Sides	A
Door (handle) Sides	B
Grille Top	C
Grille Bottom / Door Top	D
Door Bottom	E



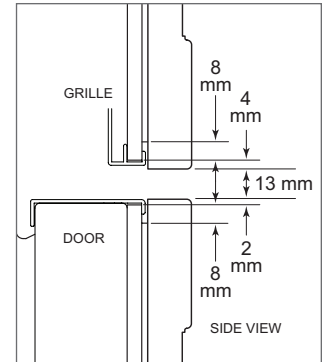
Illus. A



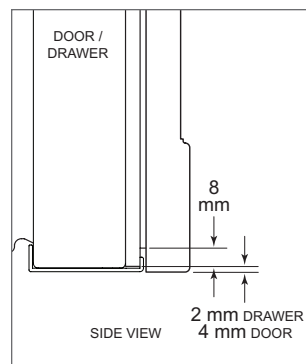
Illus. B



Illus. C



Illus. D



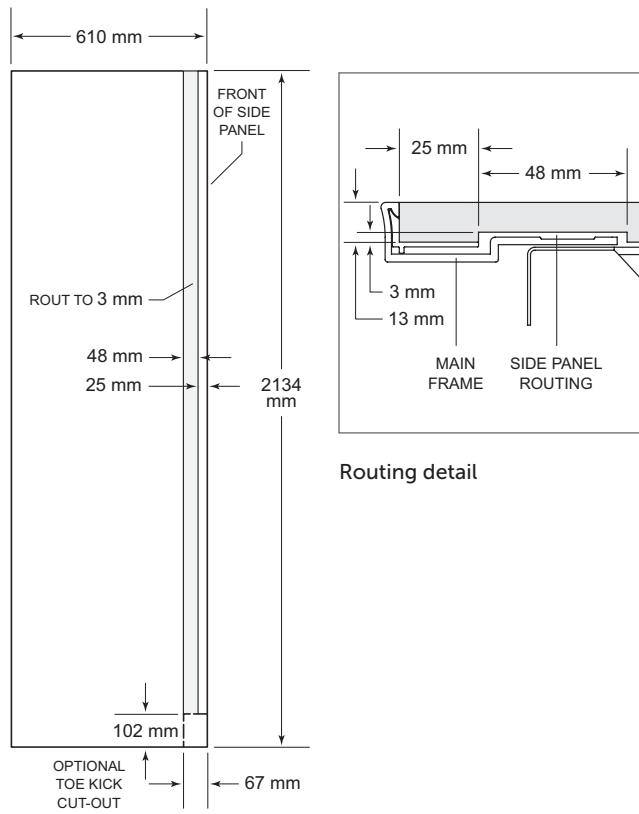
Illus. E

## Custom Panels—ICBCL3050W

### SIDE PANEL

The custom side panel must be a minimum of 610 mm deep and 13 mm thick. Routing will be necessary for the side panel to fit flush against the side of the unit. Refer to the illustrations below.

When installing model ICBCL3050W with a custom side panel, an accessory kit is required. Stainless steel and white enamel side panels are available through an authorized Sub-Zero dealer.



Side panel dimensions

## Standard Handles

Optional stainless steel tubular and pro handles are available through an authorized Sub-Zero dealer.

Refer to the chart below for standard handle lengths for wine storage models.

HANDLE LENGTH	TUBULAR	PRO
ICBDEU2450W	614 mm	572 mm
ICBDEC1850W	1273 mm	1229 mm
ICBDEC2450W	1273 mm	1229 mm
ICBDEC3050W	1273 mm	1229 mm
ICBDET3050WR Door	845 mm	800 mm
ICBDET3050WR Drawer	616 mm	572 mm
ICBCL3050W	1622 mm	1147 mm

## Wine Rack Wood Facing

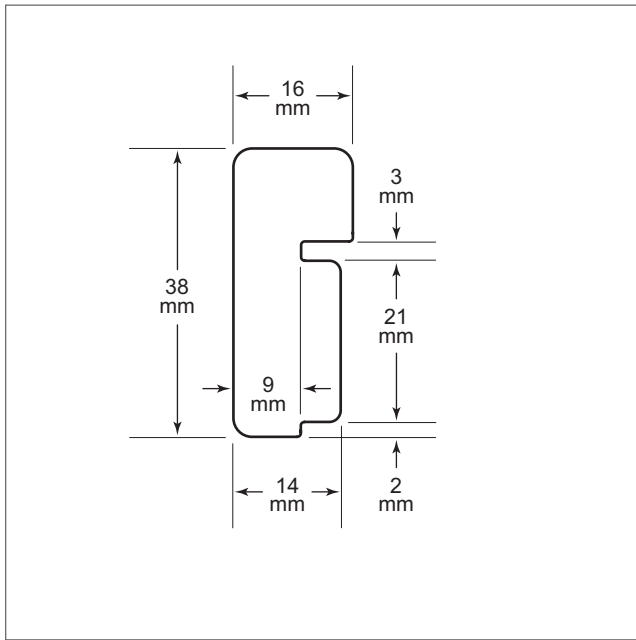
### FULL-SCALE TEMPLATE

The natural cherrywood facing on wine storage racks can be stained and sealed, or replaced with wood more complementary to surrounding cabinetry. Refer to the full-scale templates below for the profile dimensions of the wood facing and the charts for the width.

### WOOD FACING WIDTH

W

ICBDEU2450W	489 mm
-------------	--------

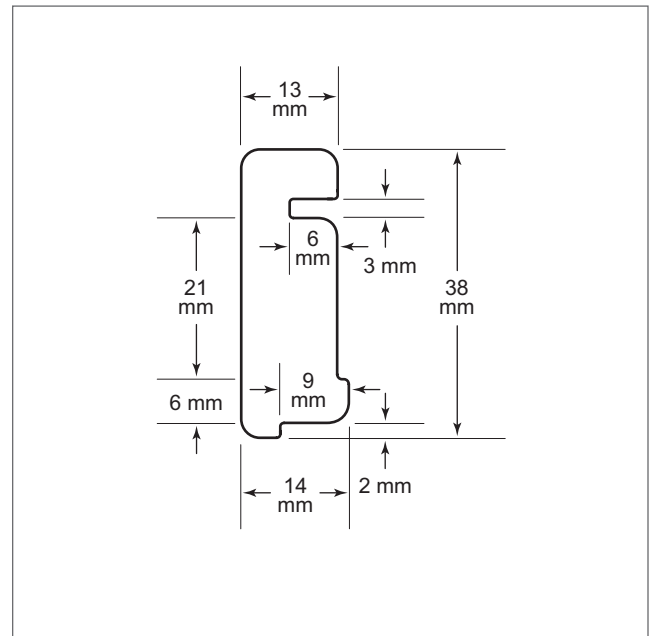


Wood facing profile—Model ICBDEU2450W

### WOOD FACING WIDTH

### WIDTH

ICBDEC1850W	295 mm
ICBDEC2450W	448 mm
ICBDEC3050W	600 mm
ICBDET3050WR	600 mm
ICBCL3050W	624 mm

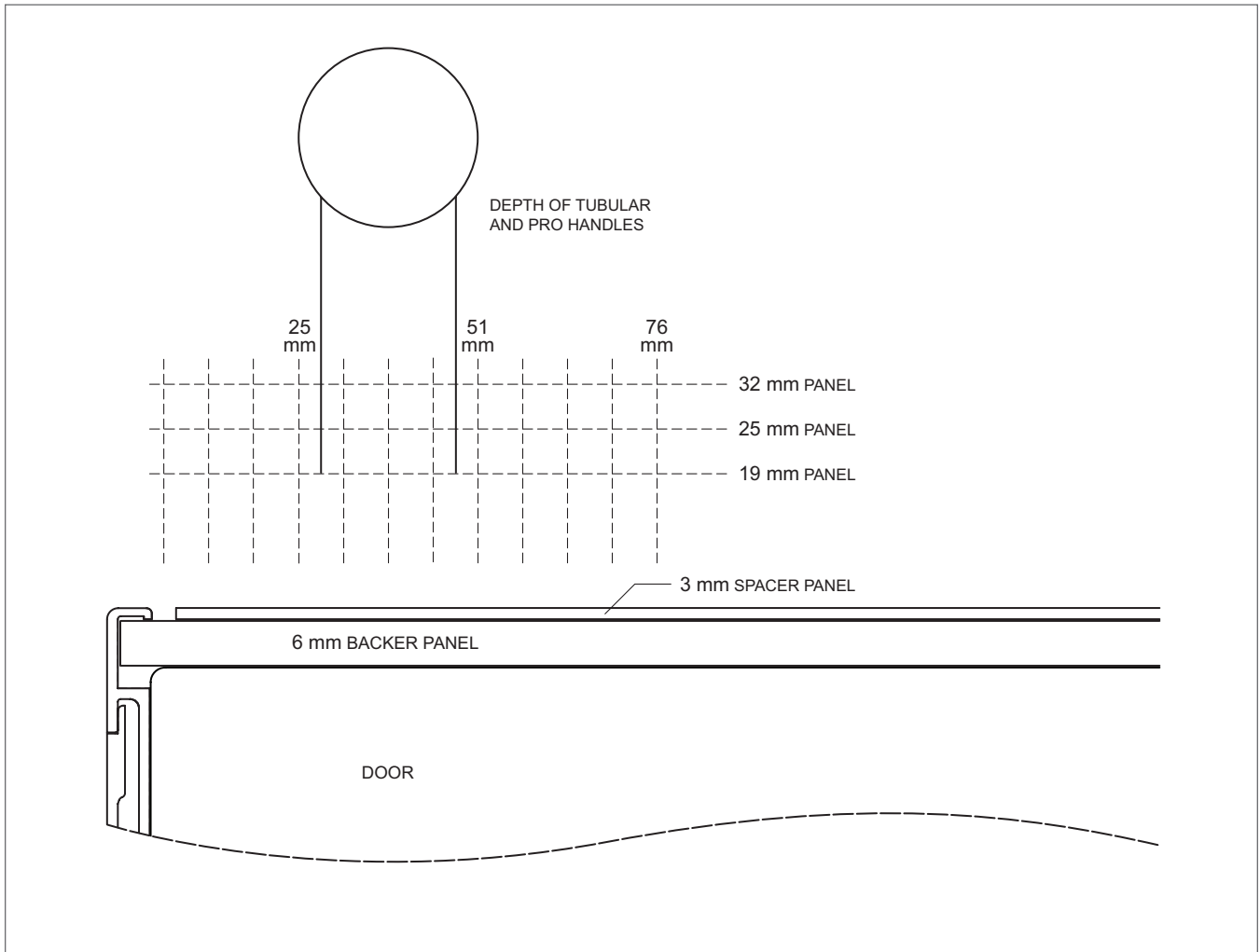


Wood facing profile—Designer Series and Model ICBCL3050W

## Overlay / Flush Inset Panels—ICBCL3050W

### FULL-SCALE TEMPLATE

Overlay and flush inset panels must be a minimum of 16 mm thick to support mounting the handle. Panel thickness does not include the backer and spacer panel. Mount the handle close to the opening edge of the door.

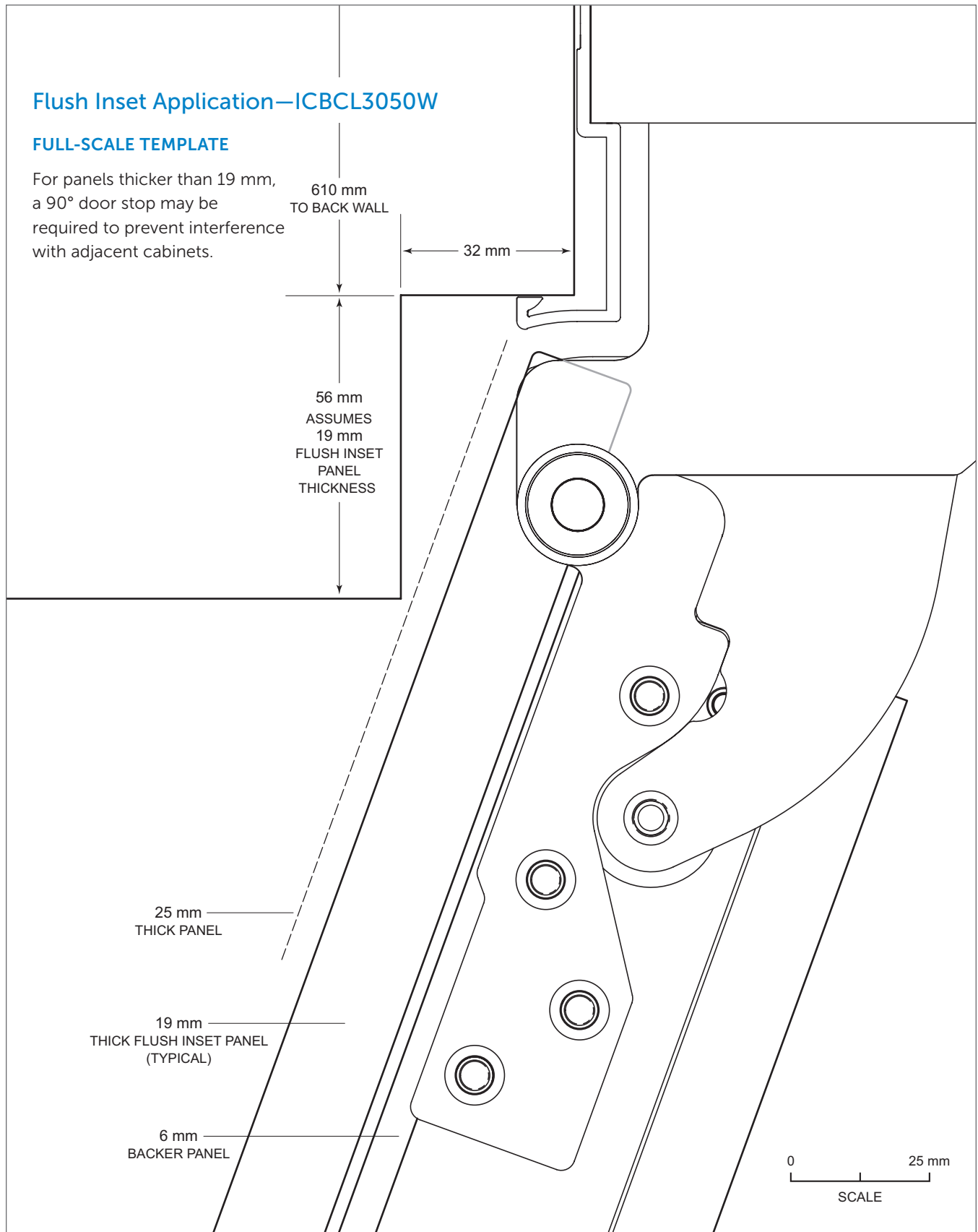


Overlay and flush inset panel thickness

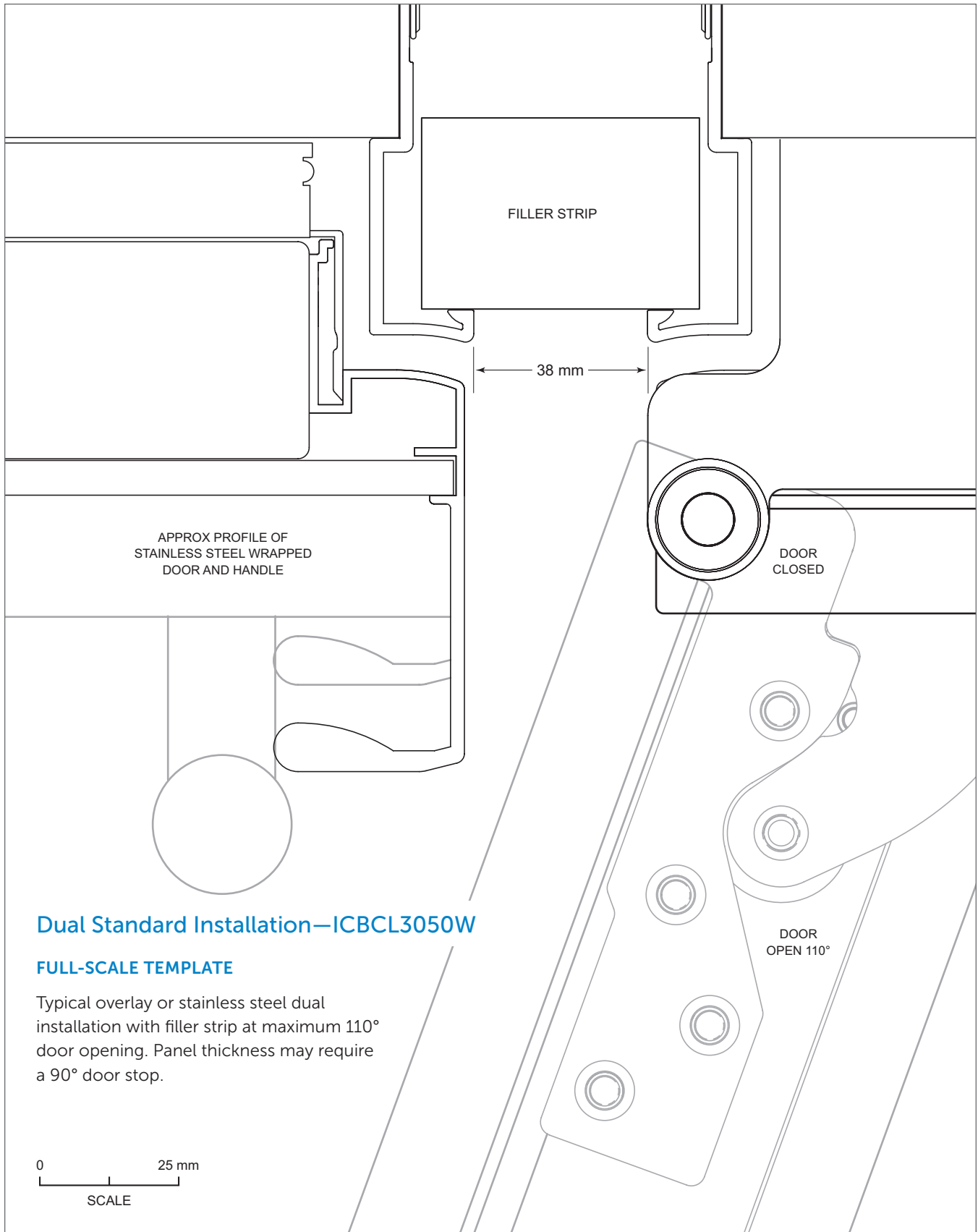
### Flush Inset Application—ICBCL3050W

#### FULL-SCALE TEMPLATE

For panels thicker than 19 mm, a 90° door stop may be required to prevent interference with adjacent cabinets.



110° door opening (top view)

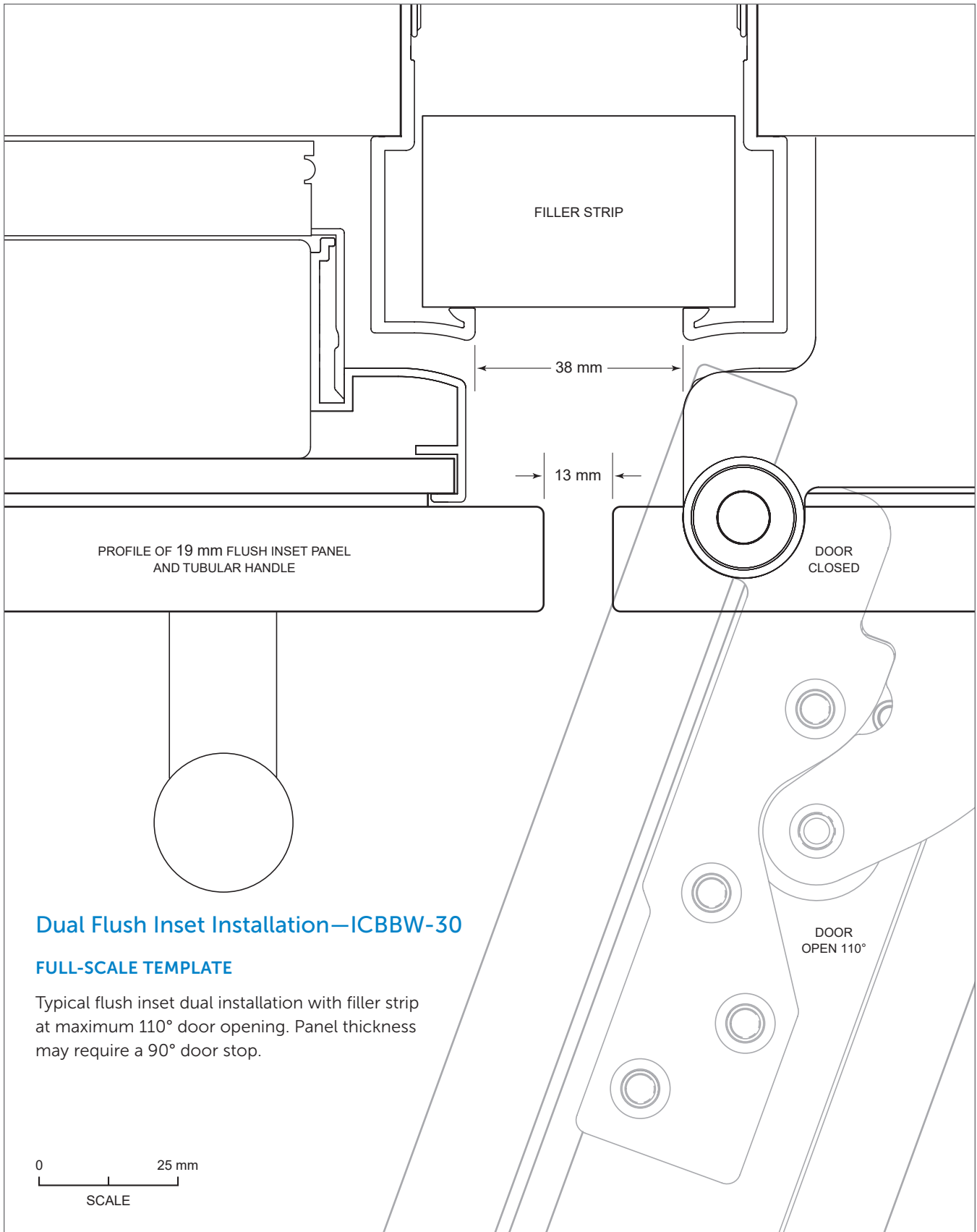


## Dual Standard Installation—ICBCL3050W

### FULL-SCALE TEMPLATE

Typical overlay or stainless steel dual installation with filler strip at maximum 110° door opening. Panel thickness may require a 90° door stop.

Dual standard installation (top view)



## Dual Flush Inset Installation—ICBBW-30

### FULL-SCALE TEMPLATE

Typical flush inset dual installation with filler strip at maximum 110° door opening. Panel thickness may require a 90° door stop.

Dual flush inset installation (top view)



## Sub-Zero International Limited Warranty

### FOR RESIDENTIAL USE

These Warranty Terms and Conditions ('Warranty') constitute your agreement with Sub-Zero Group Australia Pty Ltd (ACN 610 807 899) ('Sub-Zero') and will apply to your service order. The benefits given by this Warranty are in addition to all consumer guarantees and other rights and remedies prescribed by the Australian Consumer Law and any other applicable laws.

Our products come with guarantees that cannot be excluded under the Australian Consumer Law. You are entitled to a replacement or refund for a major failure and compensation for any other reasonably foreseeable loss or damage. You are also entitled to have the goods repaired or replaced if the goods fail to be of acceptable quality and the failure does not amount to a major failure.

In addition to your rights and remedies under the Australian Consumer Law, Sub-Zero provides customers with a Warranty where, if any part of a Sub-Zero Product is found upon inspection by an authorised Sub-Zero representative or an associated licensed technician supplied by either Sub-Zero or a relevant approved supplier (including a Sub-Zero factory certified service) ('Service Representative') to be defective in materials or workmanship, Sub-Zero will repair or replace the part free of charge as follows:

#### **FULL TWO YEAR WARRANTY\*** (\*\*Outdoor product full one year warranty)

For two years from the date of original installation, this Sub-Zero product warranty covers all parts and labour to repair or replace, under normal residential use, any part of the product that proves to be defective in materials or workmanship. All service provided by Sub-Zero under the above warranty must be performed by Sub-Zero factory certified service, unless otherwise specified by Sub-Zero, Inc. Where the Service Representative is unable to identify any fault in the product, Sub-Zero may require the consumer to provide proof that the product is defective. For the avoidance of doubt, defective products or parts become Sub-Zero's property. Service will be provided during normal business hours.

#### **FULL FIVE YEAR SEALED SYSTEM WARRANTY\***

For five years from the date of original installation, this Sub-Zero product warranty covers all parts and labour to repair or replace, under normal residential use, these parts that prove to be defective in materials or workmanship: compressor, condenser, evaporator, drier and all connecting tubing. All service provided by Sub-Zero under the above warranty must be performed by Sub-Zero factory certified service, unless otherwise specified by Sub-Zero, Inc. Where the Service Representative is unable to identify any fault in the product, Sub-Zero may require the consumer to provide proof that the product is defective. For the avoidance of doubt, defective products or parts become Sub-Zero's property. Service will be provided during normal business hours.

#### **TERMS APPLICABLE TO EACH WARRANTY\***

The warranty applies only to products installed for normal residential use. This warranty does not cover any parts or labour to correct any defect caused by negligence, accident or improper use, maintenance, installation, service or repair.

#### **CLAIM PROCEDURE\***

In order to claim the Warranty, you must cease using the product when a fault arises, contact Sub-Zero or authorised Sub-Zero dealer where the product was purchased to report the issue and follow Sub-Zero's directions regarding what to do next. Sub-Zero's general contact details are as follows:

Sub-Zero Group Australia  
11-19 Bank Place  
Melbourne VIC 3000  
Phone: 03 9600 2218 Email: serviceAU@subzero.com

#### **CLAIM PROCEDURE\***

Except to the extent required by law, all consumer guarantees, representations, warranties, terms and conditions in relation to the products (whether implied or otherwise) are hereby excluded to the maximum extent permitted by law.

To the fullest extent permitted by law, Sub-Zero excludes all liability for damage or injury to any person, damage to any property and any indirect consequential or other loss or damage.

\*Stainless steel (doors, panels, handles, product frames and interior surfaces) are covered by a limited 60-day parts and labour warranty for cosmetic defects.

\*Replacement water filters and air purification cartridges are not covered by the product warranty.

\*\*Full one year warranty applies to outdoor product. Product must be approved for outdoor use, designated by model and serial number.

