

SEALED BURNER RANGETOPS

INSTALLATION INSTRUCTIONS

Rangetop series ICBSRT

Models

ICBSRT304

ICBSRT364C

ICBSRT364G

ICBSRT486C

ICBSRT486G

ICBSRT484CG

ICBSRT484F

 WOLF®



WOLF[®]



CONTACT INFORMATION

Sub-Zero Group Australia Pty Ltd
Level 10, 469 La Trobe Street
Melbourne Victoria 3000
Phone 03 9600 2218

subzero-wolf.com.au

As you follow these instructions, you will notice **WARNING** and **CAUTION** symbols. This blocked information is important for the safe and efficient installation of Wolf equipment. There are two types of potential hazards that may occur during installation.

⚠ CAUTION

signals a situation where minor injury or product damage may occur if you do not follow instructions.

⚠ WARNING

states a hazard that may cause serious injury or death if precautions are not followed.

Another footnote we would like to identify is **IMPORTANT NOTE**: This highlights information that is especially relevant to a problem-free installation.

**INSTALLATION REQUIREMENTS****⚠ WARNING**

This appliance shall be installed in accordance with the regulations in force and only used in a well ventilated space. Read the instructions before installing or using this appliance.

IMPORTANT NOTE:

- Installation and service must be performed by an authorized person. The appliance must not be modified.
- Do not store or use gasoline or other flammable vapors and liquids in the vicinity of this or any other appliance.
- The use of a gas cooking appliance results in the production of heat and moisture in the room in which it is installed. Ensure that the kitchen is well ventilated; keep natural ventilation holes open or install a mechanical ventilation device (mechanical extractor hood)
- Prolonged intensive use of the appliance may for additional ventilation, for example opening of a window, or more effective ventilation, for example increasing the level of mechanical ventilation where present.

A ventilation range hood must be installed for use with the Wolf sealed burner rangetops.

WHAT TO DO IF YOU SMELL GAS:

- Do not try to light any appliance.
- Do not touch any electrical switch.
- Do not use any phone in your building.
- Immediately call your gas supplier from a neighbor's phone. Follow the gas supplier's instructions.
- If you cannot reach your gas supplier, call the fire department.

STATUTORY REQUIREMENTS

This appliance shall be installed in accordance with the manufacturer's installation instructions, local gas fitting regulations, municipal building codes, electrical wiring regulations, and AS/NZS 5601 the Australian Standard for gas installations. Refer also to AS/NZS 5601 for gas pipe sizing tables.

Not suitable for use in marine craft, caravan or mobile home. Unless each burner is fitted with a flame safeguard.

⚠ WARNING**FOR AUSTRALIA ONLY:**

- Do not use or store flammable materials in the appliance storage drawer or near this appliance.
- Do not spray aerosols in the vicinity of this appliance while in operation.
- Do not modify this appliance.
- This appliance is for indoor use only.
- A ventilation unit is suggested for use with this appliance. Refer to the instructions shipped with the ventilation unit for proper clearances.
- If the information in the guide is not followed, a fire or explosion may result, causing property damage, personal injury or death.
- This appliance must be properly installed and serviced by a qualified installer, service agency or gas supplier and grounded (earthed) by a qualified technician.



RATING PLATE INFORMATION

Model Number

Serial Number

INSTALLATION REQUIREMENTS

IMPORTANT NOTE: This installation must be completed by a qualified installer, service agency or gas supplier.

IMPORTANT NOTE: Save these Installation Instructions for the local inspector’s use.

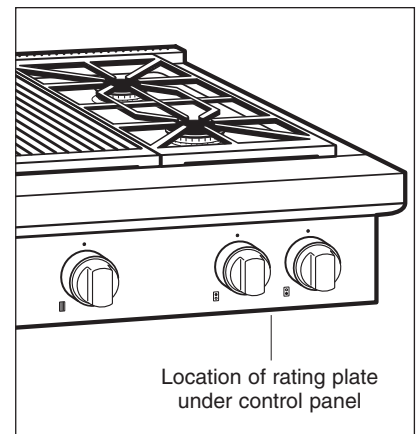
- Please read the entire Installation Instructions prior to installation.
- **Installer:** please retain these instructions for local inspector’s reference, then leave them with the homeowner.
- **Homeowner:** please read and keep these instructions for future reference and be sure to read the entire Use & Care Information prior to use.

IMPORTANT NOTE: This appliance must be installed in accordance with local codes. The correct voltage, frequency and amperage must be supplied to the appliance from a dedicated, grounded circuit which is protected by a properly sized circuit breaker or time delay fuse. The proper voltage, frequency, and amperage ratings are listed on the product rating plate.

Record the model and serial numbers before installing the sealed rangetop. Both numbers are listed on the rating plate, located on the underside of the sealed rangetop. Refer to the illustration below.

BEFORE YOU START

- Proper installation is your responsibility. Have a qualified technician install this sealed rangetop. You must also assure that electrical installation is adequate and in compliance with all local codes and ordinances.
- Prior to installation, ensure that the local distribution conditions (nature of the gas and gas pressure) and the adjustment of the appliance are compatible.
- Proper gas supply connection must be available; refer to Gas Supply Requirements on page 12. Electrical ground is required; see Electrical Requirements on page 15.
- The adjustment conditions for this appliance are stated on the label (or rating plate). The data plate can be found on the underside of the sealed rangetop.



Rating plate location



BEFORE YOU START

- Check the location where the rangetop will be installed. The location should be away from strong draft areas, such as windows, doors and strong heating vents or fans. Do not obstruct the flow of air. The area in which you are installing this appliance must have an adequate supply of fresh air to ensure proper combustion and ventilation.
- This appliance is not connected to a combustion products evacuation device. It shall be installed and connected in accordance with current installation regulations. Particular attention shall be given to the relevant requirements regarding ventilation.
- All openings in the wall where the rangetop is to be installed must be sealed.

INSTALLATION SPECIFICATIONS

Wolf sealed burner rangetops come in 762 mm, 914 mm and 1219 mm widths. Illustrations on pages 9–11 provide the overall dimensions and installation specifications for each width of sealed burner rangetop.

Each rangetop is designed to fit between cabinets set at the distance specified by the unit. For example, a 914 mm rangetop will fit a 914 mm opening.

IMPORTANT NOTE: Cabinet opening dimensions shown in the Installation Specifications illustrations must be used. These dimensions provide for required clearances.

IMPORTANT NOTE: Locate the electrical supply within dimensions shown in the Installation Specifications illustrations.

Refer to the Installation Specifications illustration for your model on pages 9–11 for the exact rough opening dimensions and location of the gas and electrical supply.



MINIMUM CLEARANCES

IMPORTANT NOTE: Caution must be used in planning the proper installation of the Wolf sealed burner rangetop to avoid fire or damage to adjacent cabinetry or kitchen equipment. Be sure to follow the minimum clearances established in the finished rough opening dimensions.

Refer to the Installation Specifications illustration for your model on pages 9–11 for the exact rough opening dimensions.

WALL INSTALLATIONS

Minimum clearances to combustible surfaces:

- Minimum 457 mm clearance from bottom of upper cabinet to countertop, within 152 mm minimum side clearance.
- Minimum spacing between overhead side cabinets must be greater than or equal to the nominal width of the rangetop. The maximum depth of overhead and side cabinets is 330 mm, within 152 mm side clearance.
- 0 mm clearance for adjacent combustible materials below the countertop, both sides and rear.
- Bottom of ventilation hood must be 762 mm minimum to 914 mm maximum from countertop.

Minimum clearances for sealed burner rangetops without a ventilation hood:

- Model ICBSRT304: 762 mm minimum vertical distance from countertop to combustible materials above the rangetop.

All Other Sealed Burner Rangetops:

- Surface Burners or Griddle (G) Models: 914 mm minimum vertical distance from countertop to combustible materials above the rangetop.
- Charbroiler (C) Models: 1118 mm minimum vertical distance from countertop to combustible materials above the rangetop.

ISLAND | PENINSULA INSTALLATIONS

Minimum clearances to combustible surfaces:

- Island Installations: Minimum 305 mm clearance to rear wall that rises above the countertop.
- Peninsula Installations: Minimum 152 mm clearance to side walls and minimum 305 mm clearance to rear wall that rises above the countertop.

Refer to the Installation Specifications illustration for your model on pages 9–11 for the exact rough opening dimensions.

⚠ WARNING

Failure to locate the rangetop without the proper clearances will result in a fire hazard.

RISER REQUIREMENTS

Installations against a combustible surface:

- Model ICBSRT304: No riser requirements.
- 914 mm Sealed Burner Rangetops: A minimum 254 mm riser is required for all charbroiler (C) or griddle (G) models installed against a combustible surface.
- 1219 mm Sealed Burner Rangetops: A minimum 254 mm riser is required for all charbroiler (C) or griddle (G) models installed against a combustible surface.

VENTILATION

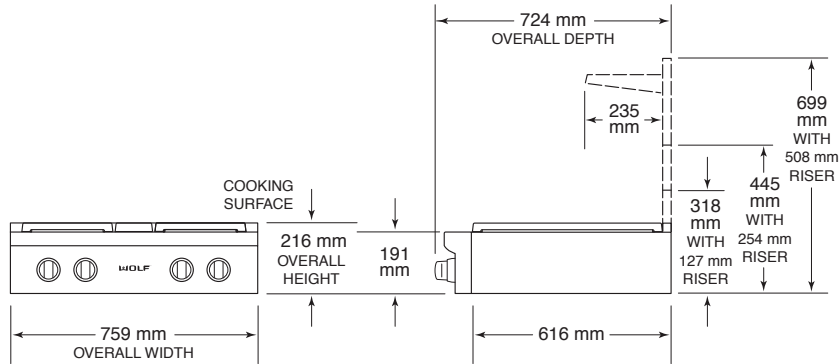
A suitable ventilation range hood must be installed.

- Important Note: It is recommended that you operate the Wolf Sealed Burner Rangetop with a Wolf Pro ventilation hood. Contact your Wolf dealer for details.

Important Note: When installing a ventilation hood, refer to the specific requirements of the hood for the minimum dimension to countertop.



762 mm SEALED BURNER RANGETOP

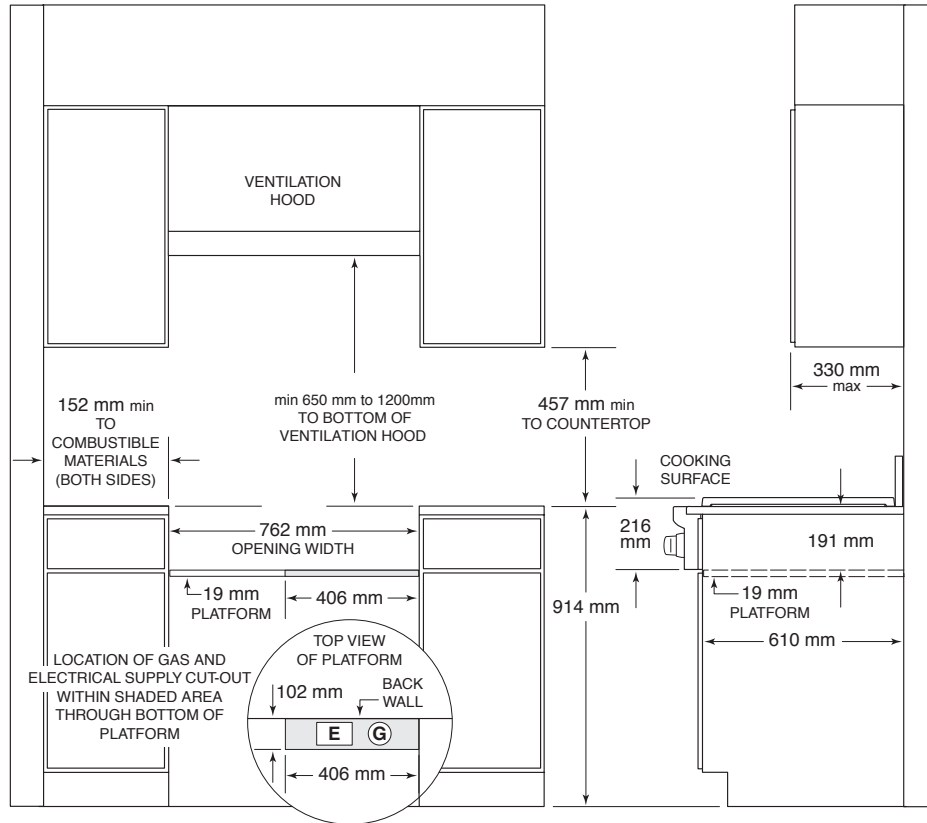


OVERALL DIMENSIONS

| | |
|-------------------------------------|--------|
| Overall Width | 759 mm |
| Overall Height (to cooking surface) | 216 mm |
| Overall Depth | 724 mm |
| Opening Width | 762 mm |

Dimensions may vary to ±3 mm.

INSTALLATION SPECIFICATIONS



Note A:

Side clearances. If the distance measured from the periphery of the nearest burner to any vertical surface is less than 200 mm, the surface shall be protected in accordance with AS/NZS 5601

Note B:

The rangetop fitted above the cooktop must be installed according to the installation instructions for the rangehoods. A minimum clearance of 650mm from the top of the burner port to a grease filter/range hood/combustible surface and 750mm to an Exhaust fan. For models with Char Grill burner a minimum clearance of 1200mm to a grease filter/range hood/combustible surface from the top of the burner ports of the Char Grill burner.

ISLAND INSTALLATIONS: 305 mm MINIMUM CLEARANCE FROM BACK OF RANGETOP TO COMBUSTIBLE REAR WALL ABOVE COUNTERTOP- 0 mm TO NON-COMBUSTIBLE MATERIALS

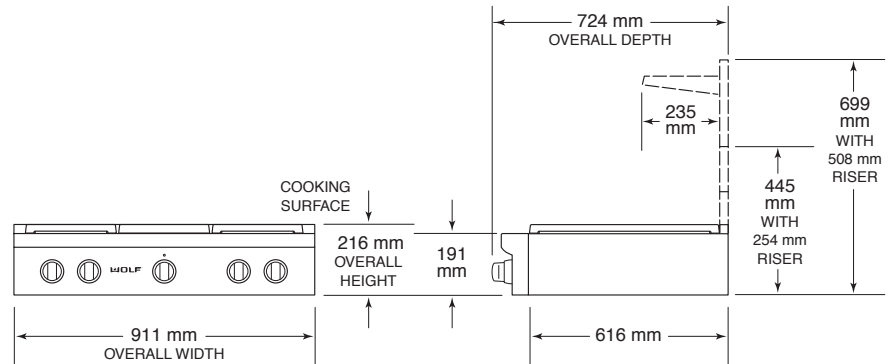


914 mm SEALED BURNER RANGETOP

OVERALL DIMENSIONS

| | |
|-------------------------------------|--------|
| Overall Width | 911 mm |
| Overall Height (to cooking surface) | 216 mm |
| Overall Depth | 724 mm |
| Opening Width | 914 mm |

Dimensions may vary to ±3 mm.



- **Homeowner:** please read and keep these instructions for future reference and be sure

INSTALLATION SPECIFICATIONS

IMPORTANT NOTE:
A minimum 254 mm riser is required for all charbroiler (C) or griddle (G) models installed against a combustible surface.

Note A:

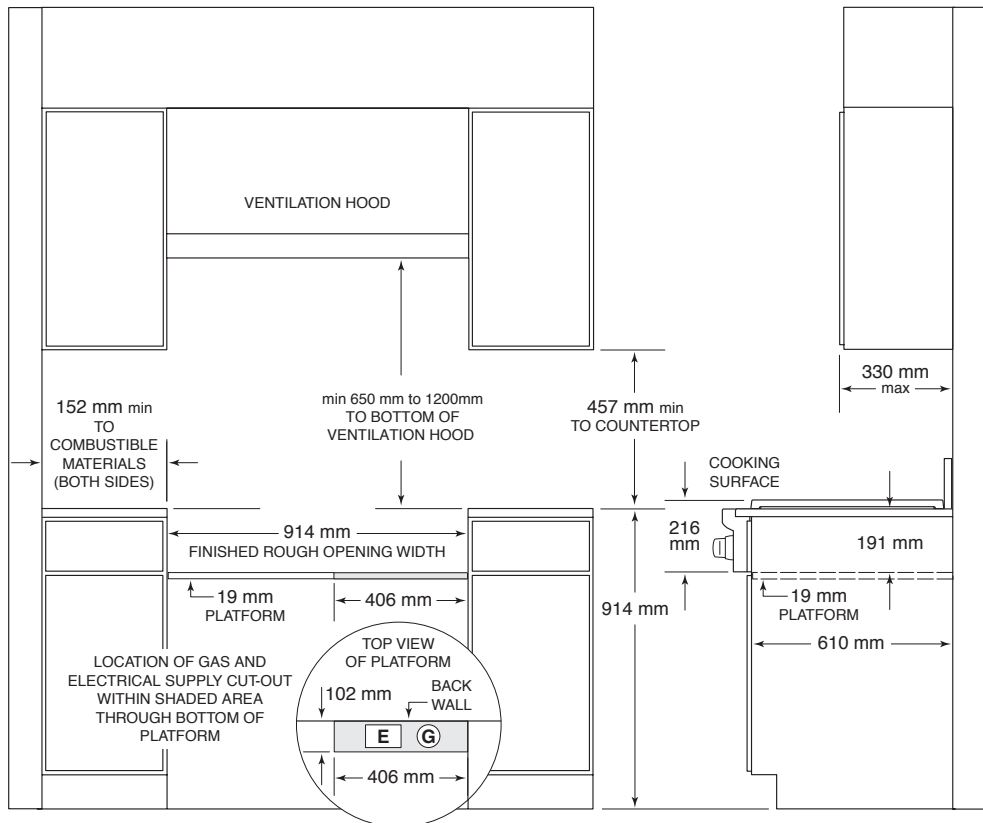
Side clearances. If the distance measured from the periphery of the nearest burner to any vertical surface is less than 200 mm, the surface shall be protected in accordance with AS/NZS 5601

Note B:

The rangehood fitted above the cooktop must be installed according to the installation instructions for the rangehoods.

A minimum clearance of 650mm from the top of the burner port to a grease filter/range hood/combustible surface and 750mm to an Exhaust fan.

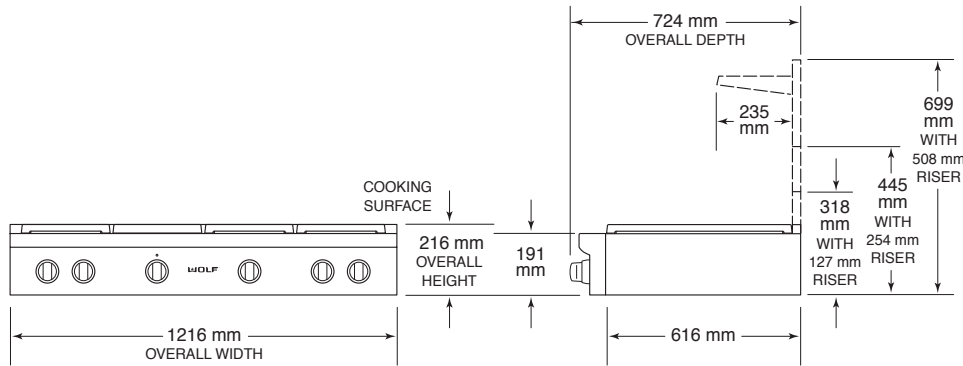
For models with Char Grill burner a minimum clearance of 1200mm to a grease filter/range hood/combustible surface from the top of the burner ports of the Char Grill burner.



ISLAND INSTALLATIONS: 305 mm MINIMUM CLEARANCE FROM BACK OF RANGETOP TO COMBUSTIBLE REAR WALL ABOVE COUNTERTOP- 0 mm TO NON-COMBUSTIBLE MATERIALS



1219 mm SEALED BURNER RANGETOP

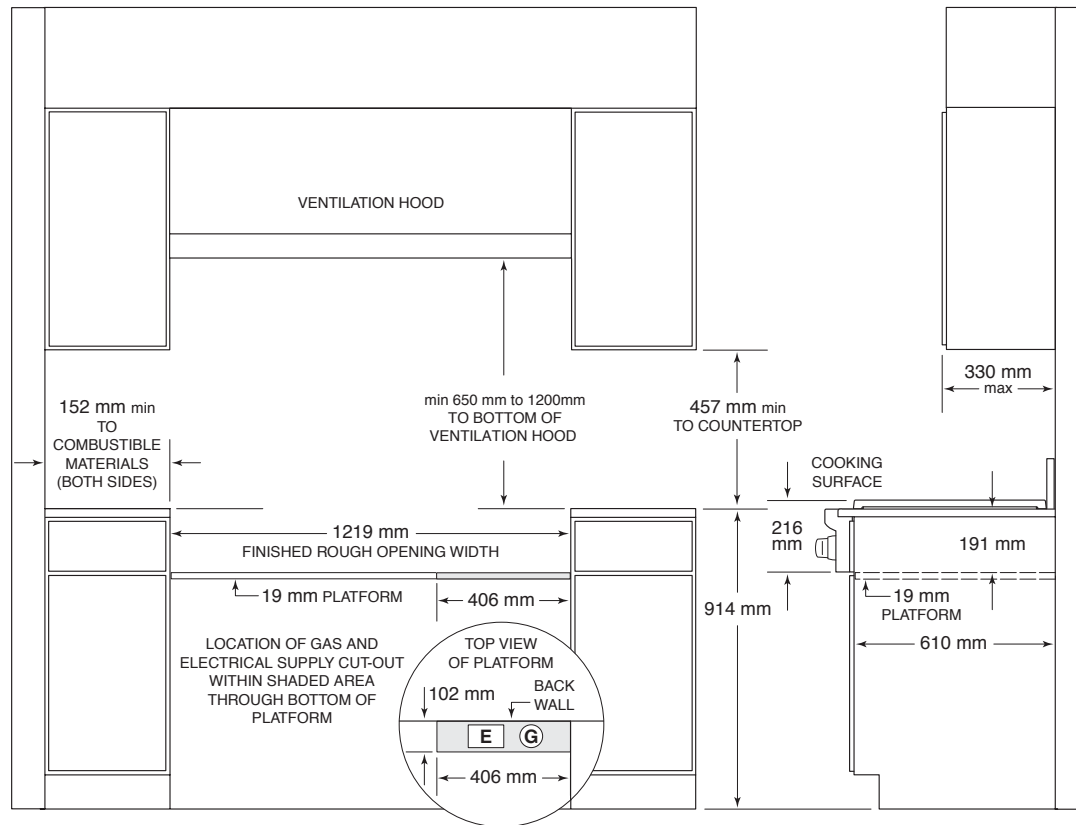


OVERALL DIMENSIONS

| | |
|-------------------------------------|---------|
| Overall Width | 1216 mm |
| Overall Height (to cooking surface) | 216 mm |
| Overall Depth | 724 mm |
| Opening Width | 1219 mm |

Dimensions may vary to ± 3 mm.

INSTALLATION SPECIFICATIONS



IMPORTANT NOTE:
For 1219 mm sealed burner rangetops, a minimum 254 mm riser is required for all charbroiler (C) or griddle (G) models installed against a combustible surface.

Note A:
Side clearances. If the distance measured from the periphery of the nearest burner to any vertical surface is less than 200 mm, the surface shall be protected in accordance with AS/NZS 5601

Note B:
The rangehood fitted above the cooktop must be installed according to the installation instructions for the rangehoods. A minimum clearance of 650mm from the top of the burner port to a grease filter/range hood/combustible surface and 750mm to an Exhaust fan. For models with Char Grill burner a minimum clearance of 1200mm to a grease filter/range hood/combustible surface from the top of the burner ports of the Char Grill burner.

ISLAND INSTALLATIONS: 305 mm MINIMUM CLEARANCE FROM BACK OF RANGETOP TO COMBUSTIBLE REAR WALL ABOVE COUNTERTOP – 0 mm TO NON-COMBUSTIBLE MATERIALS



INSTALL THE RANGETOP

GAS SUPPLY REQUIREMENTS

IMPORTANT NOTE

This installation must conform with local codes and ordinances.

Prepare the finished rough opening for the rangetop according to the Installation Specifications illustration for your model on pages 9–11. The platform must be 19 mm thick and include a cut-out at the right rear for gas supply and electrical connections.

IMPORTANT NOTE: The platform must be level to ensure that the cooking surface is level.

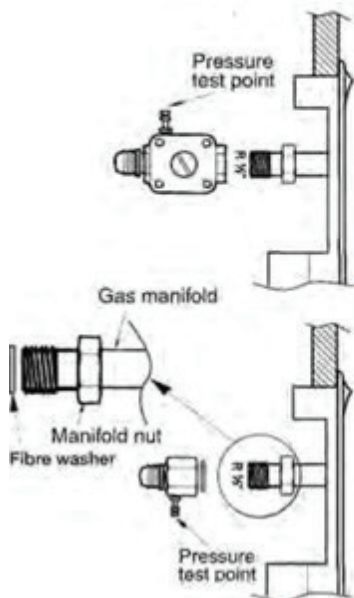
Remove and discard all packing materials, including cardboard and tape on the outside of the rangetop. Remove the burner grates and styrofoam off the top cooking surface. Be sure to remove the burner caps packaged in styrofoam below the burner grates.

If your installation requires a riser, it must be attached to the rangetop before installation. Refer to the installation instructions packaged with the riser.

Position the rangetop on the platform. Gas supply and electrical connections should be made before the rangetop is placed in its final position.

It should be expressly noted that we cannot accept any liability for direct or indirect damage caused by wrong connection or improper installation. When being repaired, the appliance must

always be disconnected from the main gas and electricity supply; if required, notify our customer service.



⚠ WARNING

EXPLOSION HAZARD—

Securely tighten all external gas connections.

Failure to do so can result in explosion, fire or death.

IMPORTANT NOTE: The sealed rangetop must be connected to a regulated gas supply.

IMPORTANT NOTE: This installation must conform with local codes and ordinances.

The rating plate, located on the underside of the burner box, has information on the type of gas that should be used. If this information does not agree with the type of gas available, check with the local gas supplier.

An ISO 7-1 gas inlet thread is provided on all units. Please contact your local Wolf dealer if an ISO 228-1 or other gas inlet thread is required. Pipe joint compounds, suitable for use with LP gas should be used. LP gas suppliers usually determine the size and materials used on the system.

Flexible hose must be certified to AS1869 class B or D 10mm in diameter and no longer than 1200mm long. The hose must not be kinked or be able to touch any hot surface. The supply connection point must be accessible when installed.

If rigid pipe is used as a gas supply line, a combination of pipe fittings must be used to obtain an in-line connection to the sealed rangetop. All strains must be removed from the supply and gas lines so the sealed rangetop will be level and in line.

GAS CONNECTION:

Fit regulator (N.G.) or Propane fitting (LPG), the direction for gas flow is indicated on the regulator. Check correct operation of each burner individually and in combination. Burner flames should be clear blue, with no yellow tipping. If the burners show any abnormality, check that the burner heads are correctly located and refer to trouble shooting page 16. If satisfactory performance can not be obtained contact Multyflex or the local gas utility. Note: These burner have no aeration adjustment.

Instruct the user in the operation of the appliance before leaving. A duplicate plate can be attached to the inside top of an adjacent cupboard.



GAS RATING

| Model | Gas Pressure (kPa) | | Total MJ/H | | Ultra Rapid | | | | Semi Rapid | | | | Char Grill | | Griddle | | French Top | |
|-------------|--------------------|---------|------------|---------|-------------|------|---------|------|------------|------|---------|------|------------|---------|---------|---------|------------|---------|
| | Nat | Propane | Nat | Propane | Orifice | | | | Orifice | | | | Orifice | | Orifice | | Orifice | |
| | | | | | Nat | | Propane | | Nat | | Propane | | Nat | Propane | Nat | Propane | Nat | Propane |
| Main | Simmer | Main | Simmer | Main | Simmer | Main | Simmer | Main | Simmer | Main | Simmer | | | | | | | |
| ICBSRT304 | 1 | 2.75 | 57 | 58.5 | 1.95 | 0.79 | 1.17 | 0.47 | 1.40 | 0.65 | 0.93 | 0.41 | 1.78 | 1.09 | 1.70 | 1.09 | | |
| ICBSRT364C | 1 | 2.75 | 72 | 73.5 | 1.95 | 0.79 | 1.17 | 0.47 | 1.40 | 0.65 | 0.93 | 0.41 | 1.78 | 1.09 | 1.70 | 1.09 | | |
| ICBSRT364G | 1 | 2.75 | 72 | 73.5 | 1.95 | 0.79 | 1.17 | 0.47 | 1.40 | 0.65 | 0.93 | 0.41 | 1.78 | 1.09 | 1.70 | 1.09 | | |
| ICBSRT484CG | 1 | 2.75 | 87 | 88.5 | 1.95 | 0.79 | 1.17 | 0.47 | 1.40 | 0.65 | 0.93 | 0.41 | 1.78 | 1.09 | 1.70 | 1.09 | | |
| ICBSRT486C | 1 | 2.75 | 104 | 105.5 | 1.95 | 0.79 | 1.17 | 0.47 | 1.40 | 0.65 | 0.93 | 0.41 | 1.78 | 1.09 | 1.70 | 1.09 | | |
| ICBSRT486G | 1 | 2.75 | 104 | 105.5 | 1.95 | 0.79 | 1.17 | 0.47 | 1.40 | 0.65 | 0.93 | 0.41 | 1.78 | 1.09 | 1.70 | 1.09 | | |
| ICBSRT484F | 1 | 2.75 | 71 | 72.5 | 1.95 | 0.79 | 1.17 | 0.47 | 1.40 | 0.65 | 0.93 | 0.41 | 1.78 | 1.09 | 1.70 | 1.09 | 1.80 | 1.09 |

⚠ WARNING

FOR AUSTRALIA ONLY:

- The appliance must be connected to a regulated gas supply with an approved regulator.
- This appliance can be installed using a 10 mm diameter 1000mm flexible hose assembly complying with AS/NZS 1869, Class 'B'. Maximum working pressure 14 kPa, ambient temperature: -20°C to 125°C and AGA approved. The hose is not provided with the appliance.
- If installing with a flexible hose, verify the hose is not kinked or can be damaged. If installing above and oven, use a hose that will not be damaged by the heat from the oven.
- Failure to locate this appliance without proper clearances will result in a fire hazard.
- Adjust the inlet pressure regulator until the test point pressure is 1 kPa for NG and 2.75 kPa for Propane with 2 Ultra-rapid burners set at maximum rate. Apply the self-adhesive data plate provided. It is the responsibility of the installer to test the operation of the cooktop upon completion and leave this manual with the product.



GAS SUPPLY REQUIREMENTS

GAS LEAK TESTING

Use a brush and liquid detergent to test all gas connections for leaks. Bubbles around connections will indicate a leak. If a leak appears, shut off the gas valve and adjust connections. Then check connections again. Clean all the detergent solution from the rangetop.

⚠ WARNING

Never test for a gas leak with a match or other flame.



ELECTRICAL REQUIREMENTS

⚠ WARNING

ELECTRICAL SHOCK HAZARD –
Plug into a grounded 3-prong adapter.
Do not remove ground prong.
Do not use an adapter.
Failure to follow these instructions can result in electric shock, fire or death.

IMPORTANT NOTE: If codes permit and a separate ground wire is used, it is recommended that a qualified electrician determine that the ground path is adequate.

IMPORTANT NOTE: Check with a qualified electrician if you are not sure whether the sealed rangetop is properly grounded.

IMPORTANT NOTE: Do not ground to a gas pipe.

A 220-240 V AC, 50/60 Hz, fused electrical supply is required. A time-delay fuse or circuit breaker is recommended. It is recommended that a separate circuit serving only this appliance be provided.

Electronic ignition systems operate within wide voltage limits, but proper ground and polarity are necessary. In addition to checking that the outlet provides 220-240 V AC power and is correctly grounded, the outlet must be checked by a qualified electrician to see if it is wired with correct polarity.

This appliance, when installed, must be electrically grounded in accordance with local codes.

RECOMMENDED GROUND METHOD

IMPORTANT NOTE: For your personal safety, this sealed rangetop must be grounded. This sealed rangetop is equipped with a 3-prong ground plug. To minimize possible shock hazard, the cord must be plugged into a mating 3-prong ground-type outlet, grounded in conformance with all local codes and ordinances. If a mating outlet is not available, it is the obligation of the customer to have a properly grounded, 3-prong outlet installed by a qualified electrician.

IMPORTANT NOTE: If product is connected to a GFCI protected outlet, nuisance tripping of power supply may occur, resulting in loss of product operation.

WIRING DIAGRAM

The wiring diagram covering the electrical circuit is located on the inside left wall of the rangetop.





SURFACE BURNERS

INITIAL LIGHTING

The surface burners use electronic igniters in place of standing pilots. When the sealed rangetop control knob is pushed in and turned to the 🔥 position, the system creates a spark to light the burner. This sparking continues until the electronic ignition senses a flame. If the burner fails to ignite after 10 seconds, return the knob to the ○ position and attempt to ignite by turning the knob back to the 🔥 position.

Be sure to place the burner heads and caps on each burner base and position the burner grates over the burner bases and heads before lighting.

To check operation of the surface burners, push in and turn each control knob to the 🔥 position. The flame should light within four seconds.

If the burners do not light properly, turn control knob to the ○ position. Check that the burner heads and caps are in the proper position. Check that the power supply cord is plugged in and that the circuit breaker or house fuse has not blown. Check operation again, if the burners do not light properly at this point, contact a Wolf authorized service center.

IMPORTANT NOTE: Initial lighting of the surface burners may take slightly longer, as air in the system must be purged before gas can be supplied to the burner.

SEALED RANGETOP REMOVAL

If it is necessary to remove the sealed rangetop for cleaning or service, shut off the gas supply. Disconnect the gas and electric supply. Remove the mounting brackets on the right and left side of the burner box and remove the sealed rangetop. Reinstall in the reverse order and check the gas connection for leaks.

TROUBLESHOOTING

IMPORTANT NOTE: If the sealed rangetop does not operate properly, follow these troubleshooting steps:

- Verify that power is being supplied to the sealed rangetop.
- Check that gas valves are turned to the ON position.
- Check the gas supply and electrical connections to ensure that the installation has been completed correctly.
- Follow troubleshooting procedures as described in the Wolf Sealed Burner Rangetops Use & Care Information.
- If the sealed rangetop still does not work, contact a Wolf authorized service center. Do not attempt to repair the sealed rangetop yourself. Wolf is not responsible for service required to correct a faulty installation.



IF YOU NEED **SERVICE**

- For service in your area, contact either your Wolf dealer or visit the Showroom Locator section of our website, wolfappliance.com to find the regional distributor by country.
- When calling for service, you will need the sealed rangetop model and serial numbers. Both numbers are listed on the rating plate, located on the underside of the sealed rangetop. Refer to the illustration on page 6 for location of the rating plate.

CONTACT INFORMATION

Sub-Zero Group Australia Pty Ltd
Level 10, 469 La Trobe Street
Melbourne Victoria 3000
Phone 03 9600 2218

subzero-wolf.com.au

The information and images in this book are the copyright property of Wolf Appliance, Inc., an affiliate of Sub-Zero, Inc. Neither this book nor any information or images contained herein may be copied or used in whole or in part without the express written permission of Wolf Appliance, Inc., an affiliate of Sub-Zero, Inc.

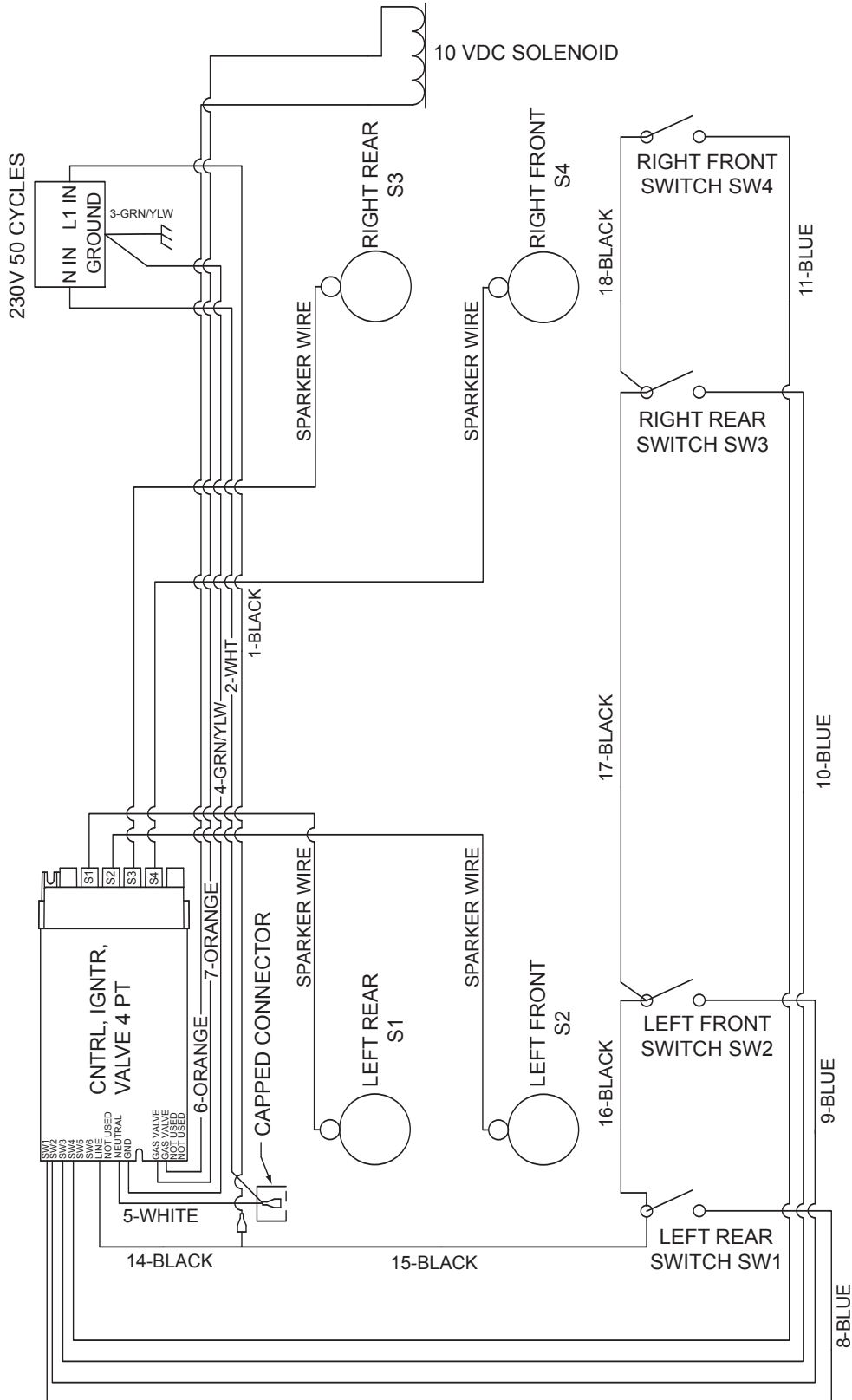
©Wolf Appliance, Inc. all rights reserved.



WIRING SCHEMATIC Model: ICBSRT304

WARNING

- This wiring information is provided for use by qualified service personnel only.
- Disconnect appliance from electrical supply before beginning service.
- Be sure all grounding devices are connected when service is complete.
- Failure to observe the above warnings may result in severe electrical shock.

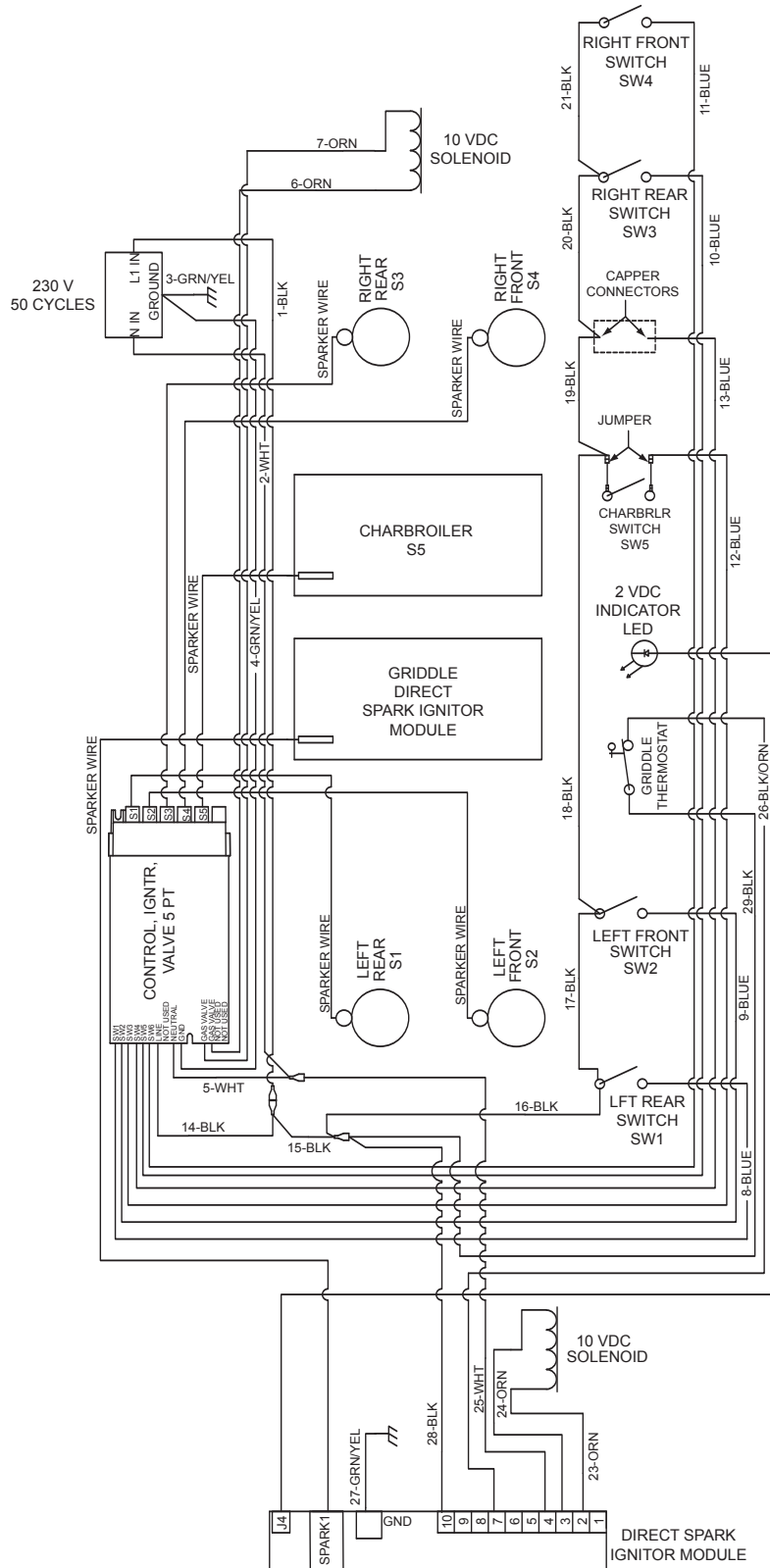




WIRING SCHEMATIC Model: ICBSRT484CG

WARNING

- This wiring information is provided for use by qualified service personnel only.
- Disconnect appliance from electrical supply before beginning service.
- Be sure all grounding devices are connected when service is complete.
- Failure to observe the above warnings may result in severe electrical shock.



WIRING SCHEMATIC Model: ICBSRT484F

WARNING

- This wiring information is provided for use by qualified service personnel only.
- Disconnect appliance from electrical supply before beginning service.
- Be sure all grounding devices are connected when service is complete.
- Failure to observe the above warnings may result in severe electrical shock.

