

## CONTENTS

- 1 Assembly, doors/drawers

**Note:** Mounting hardware is not provided. Use mounting screws manufactured specifically for the enclosure material e.g. wood, metal, brick, or stone. The mounting holes accommodate a #10 screw.

**Note:** The opening dimensions provided are for a standard installation. For a flush installation, refer to the overall dimensions in the Wolf design guide and adjust the opening dimensions accordingly.

## OUTDOOR STORAGE INSTALLATION

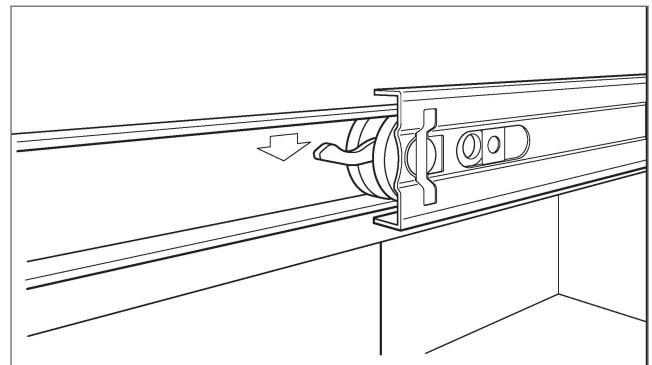
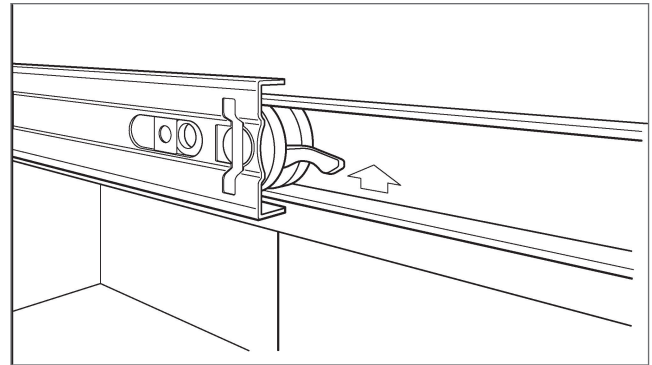
- 1 Verify the opening dimensions.

### STORAGE DOORS AND DRAWERS

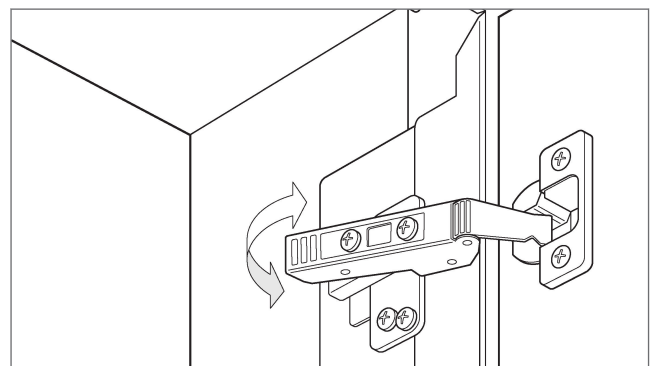
DESCRIPTION	WIDTH	HEIGHT	DEPTH
Single Drawer	27 1/4"	9 3/4"	24 1/4"
Paper Towel Drawer	14 3/4"	8 1/4"	19 1/4"
2- or 3-Drawer	12 1/4"	19 1/4"	18 1/4"
Drawer   Door	28 3/4"	19 1/4"	18 1/4"
Tall Dry Storage	22 1/4"	32 1/4"	20"
Short Dry Storage	34 1/4"	19"	20"
Single Trash   Recycle	16 1/4"	24 1/4"	19 3/4"
Double Trash   Recycle	16 1/4"	24 1/4"	22 3/4"

- 2 Remove drawers and/or doors.

- 3 For drawers, rotate the left slide tab up and the right slide tab down, then pull the drawer forward.



- 4 For doors, rotate the back of the hinge away from the frame.



- 5 Place the assembly inside the opening.
- 6 Verify the assembly is level, then secure the assembly to the opening.
- 7 Install the drawers and/or doors.



## Outdoor Storage Installation (continued)

- 8 For the combination door/drawer unit, rotate the door hinge adjustment screws to align the door. Dry storage doors are not adjustable.

